

REVISIONS				
ECN	REV	DESCRIPTION	DATE	BY/APPVL
9930	F	ADD DIPSWITCH S2-1 NESTED RELAY FUNCTION	03-29-10	DJB/JDN
9873	G	DELETE CB1 (BOARD POWER) AND CB2 (LIGHT POWER)	04-14-10	DJB/JDN
10060	H	MOVE INPUT OPTIONS TO NEW DRAWINGS CALLED OUT IN TABLE 1, OPTIONAL CAMERA ISOLATION RELAY ADDED TO RCP PAGE 2, COIL CORD WIRE COLORS ADDED, L1 & L2 JUMPER COLORS SWITCHED.	10-05-10	DJB/JDN
10403	J	ADD PAGE 3 SHOWING ALTERNATE LIGHT WIRING DETAILS.	01-19-11	DJB/JDN
10733	K	DELETE PAGE 2 SHOWING RCP LIGHT POWER TERMINAL BLOCK.	11-3-11	DJB/JMK

NOTES:
1. INSTALLER CONNECTIONS.

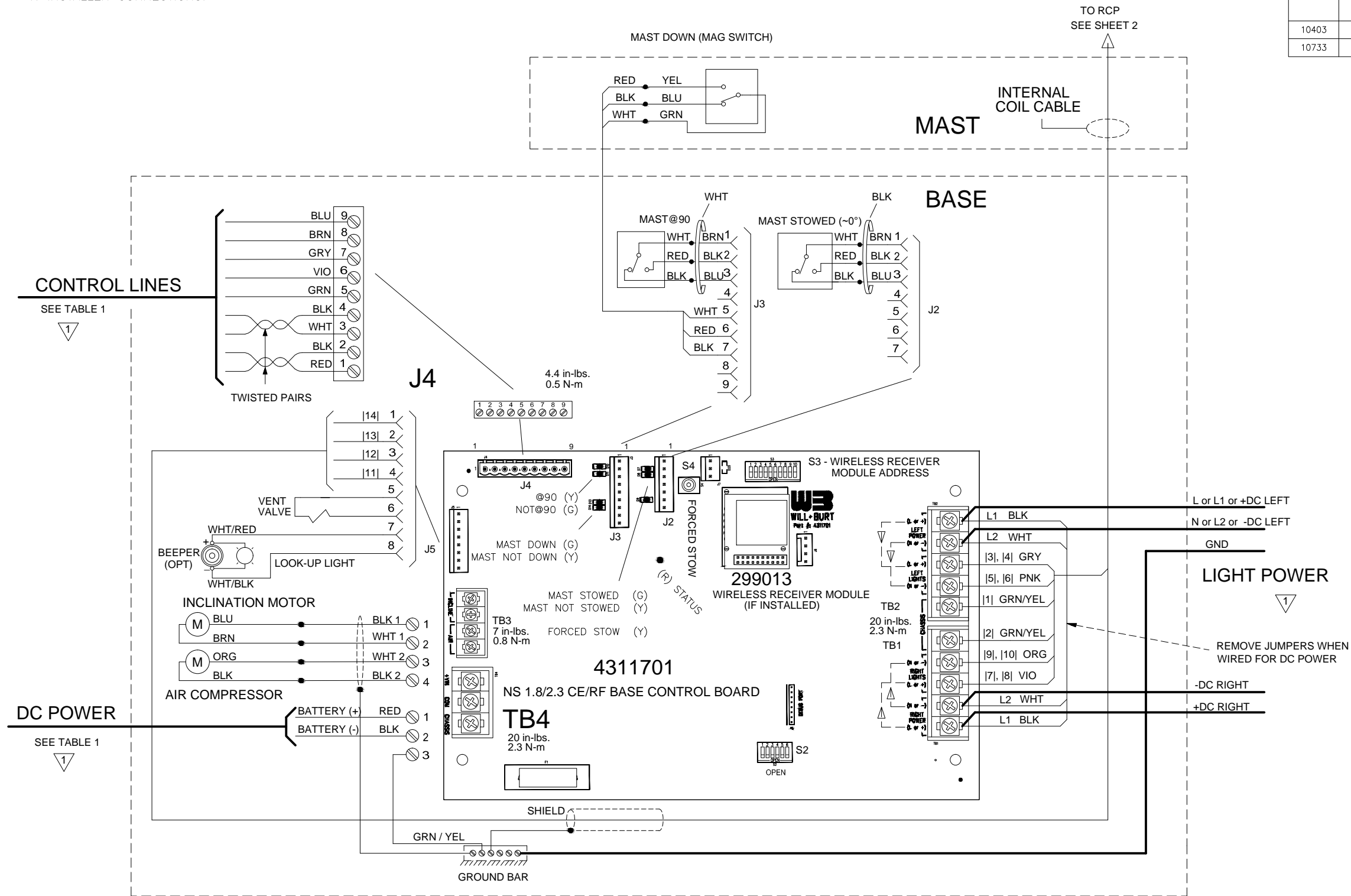


TABLE 1
JUNCTION BOX WIRING

APPLICATION	TYPE	DRAWING
SINGLE HARD-WIRED PANEL MOUNT	NFPA	WD-72001
SINGLE HARD-WIRED J-BOX	NFPA	WD-72002
	STANDARD	WD-72003
TWO HARD-WIRED J-BOXES	NFPA	WD-72005
	STANDARD	WD-72006
WIRELESS HHRC, & E-STOP	BOTH	WD-72007

BASE DIP SWITCH S2

POS	OPEN	CLOSED
1	J4 8,9 CLOSED WHEN NESTED	J4 8,9 OPEN WHEN NESTED
2	NFPA MODE	STANDARD
3	RCP	NO RCP
4	ROOF MOUNT	VERTICAL
5	UNUSED	UNUSED
6	NORMAL	DO NOT USE

AWG	in-lbs.
14-10 CU	20
12-10 AL	20
(2)14, 12 CU	25
(2)12, 10 AL	25
8	25
6 - 4	35

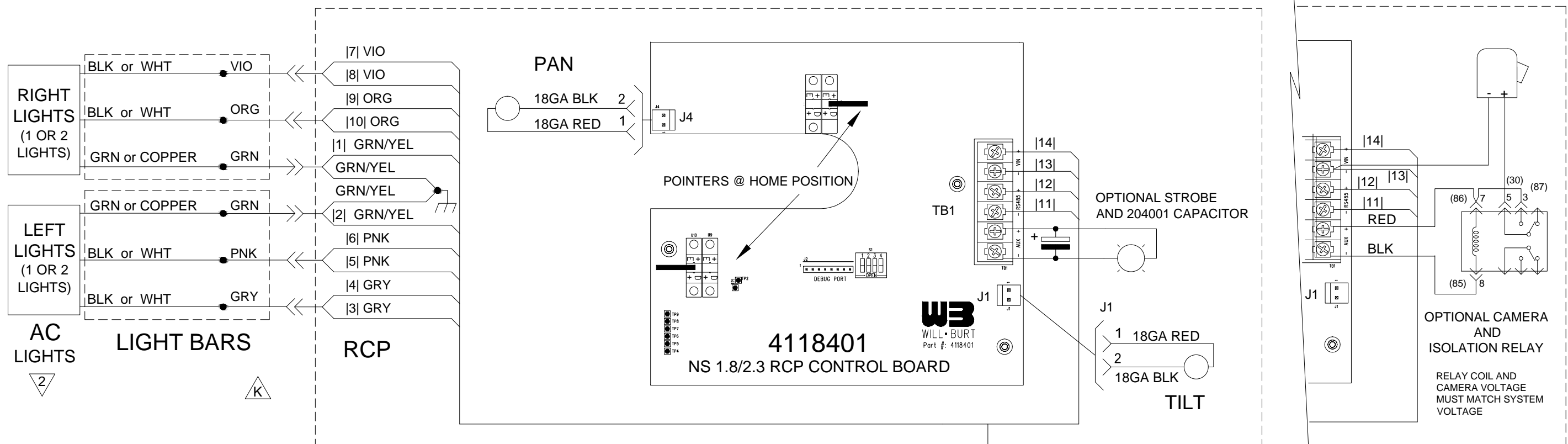
MATERIAL NSC SYSTEM WIRING.DWG	UNLESS OTHERWISE SPECIFIED DIMENSIONS ARE IN INCHES	THIS DOCUMENT CONTAINS PROPRIETARY INFORMATION AND SHALL NOT BE USED OR REPRODUCED OR ITS CONTENTS DISCLOSED IN WHOLE OR IN PART WITHOUT THE PRIOR WRITTEN CONSENT OF THE WILL-BURT COMPANY.	AN EMPLOYEE OWNED COMPANY ORRVILLE, OHIO
	TOLERANCES ON: DECIMALS: ANGLES 0 = ± 1/2" 00 = ± 000 = ± FRACTIONS: ± BREAK ALL SHARP CORNERS 1/25" ON ALL MACHINED SURFACES		
FINISH		NSC CE ROOF MOUNT WITH 4311701-CE/RF CONTROL BASE WIRING DWG. No. 46066 SCALE: NTS SHEET 1 OF 2	

REVISIONS				
ECN	REV	DESCRIPTION	DATE	BY/APPVL
9930	F	ADD DIPSWITCH S2-1 NESTED RELAY FUNCTION	03-29-10	DJB/JDN
9873	G	DELETE CB1 (BOARD POWER) AND CB2 (LIGHT POWER)	04-14-10	DJB/JDN
10060	H	MOVE INPUT OPTIONS TO NEW DRAWINGS CALLED OUT IN TABLE 1, OPTIONAL CAMERA ISOLATION RELAY ADDED TO RCP PAGE 2, COIL CORD WIRE COLORS ADDED, L1 & L2 JUMPER COLORS SWITCHED.	10-05-10	DJB/JDN
10403	J	ADD PAGE 3 SHOWING ALTERNATE LIGHT WIRING DETAILS.	01-19-11	DJB/JDN
10733	K	DELETE PAGE 2 SHOWING RCP LIGHT POWER TERMINAL BLOCK.	11-3-11	DJB/JMK

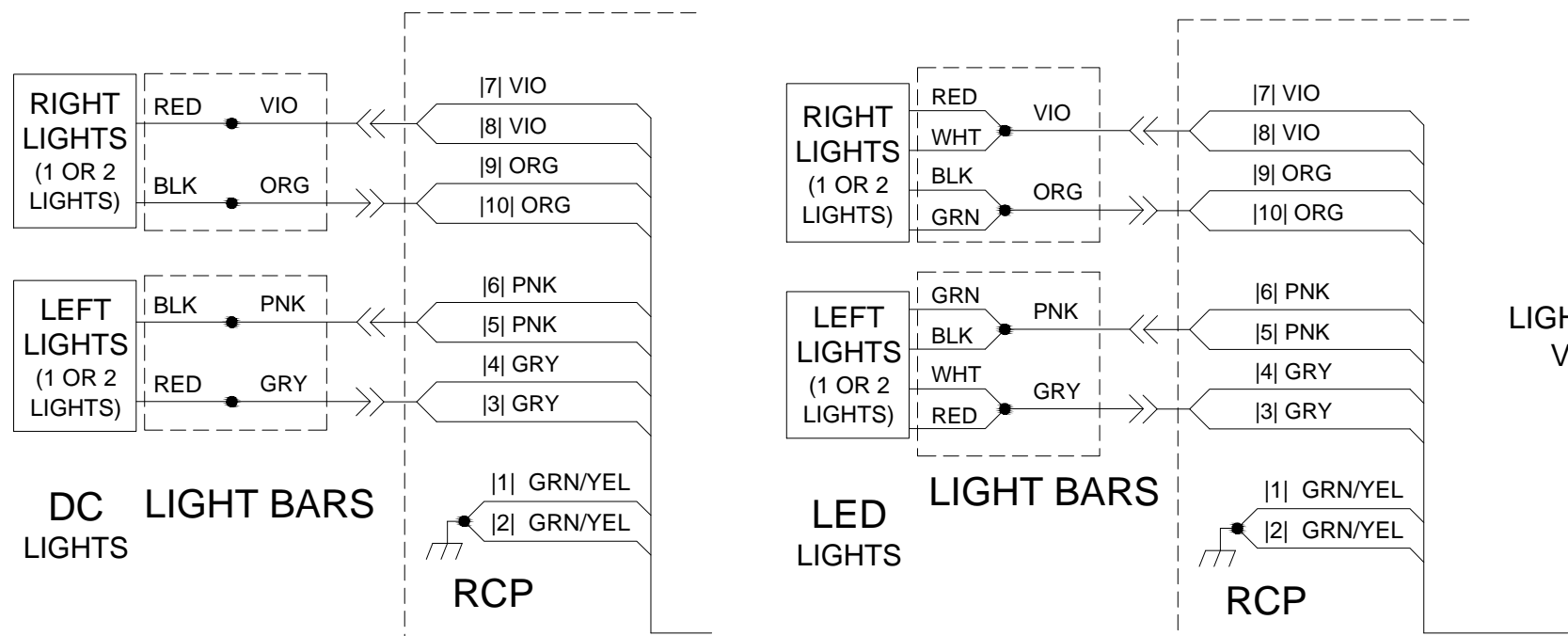
NOTES:
 2. AC LIGHTS MAY HAVE 2 BLACK WIRES, 2 WHITE WIRES OR 1 BLACK AND 1 WHITE WIRE.

RCP DIP SWITCH S1

POS	OPEN	CLOSED
1	STOP ON FAULT	STOW ON FAULT
2	RCP	POSITIONER
3	STOW WHILE LOWERING	STOW BEFORE LOWERING
4	UNUSED	UNUSED



ALTERNATE WIRING



LIGHT WIRING CONNECTIONS VIA FASTON TERMINALS INSIDE LIGHT BAR

FROM BASE
SEE SHEET 1

MATERIAL NSC SYSTEM WIRING.DWG	UNLESS OTHERWISE SPECIFIED DIMENSIONS ARE IN INCHES TOLERANCES ON: DECIMALS ANGLES 0 = ± 1/2" 00 = ± 000 = ± FRACTIONS ± BREAK ALL SHARP CORNERS 1/25" ON ALL MACHINED SURFACES	THIS DOCUMENT CONTAINS PROPRIETARY INFORMATION AND SHALL NOT BE USED OR REPRODUCED OR ITS CONTENTS DISCLOSED IN WHOLE OR IN PART WITHOUT THE PRIOR WRITTEN CONSENT OF THE WILL-BURT COMPANY. FOR LOGISTICAL SUPPORT ONLY SIGNATURE DATE DR. BY DJB CK. BY JN APP. BY	AN EMPLOYEE OWNED COMPANY ORRVILLE, OHIO NEXT ASSY DESC. NS CE ROOF MOUNT WITH 4311701-CE/RF CONTROL RCP WIRING SIZE DWG. No. 46066 SCALE NTS SHEET 2 OF 2
-----------------------------------	--	---	---