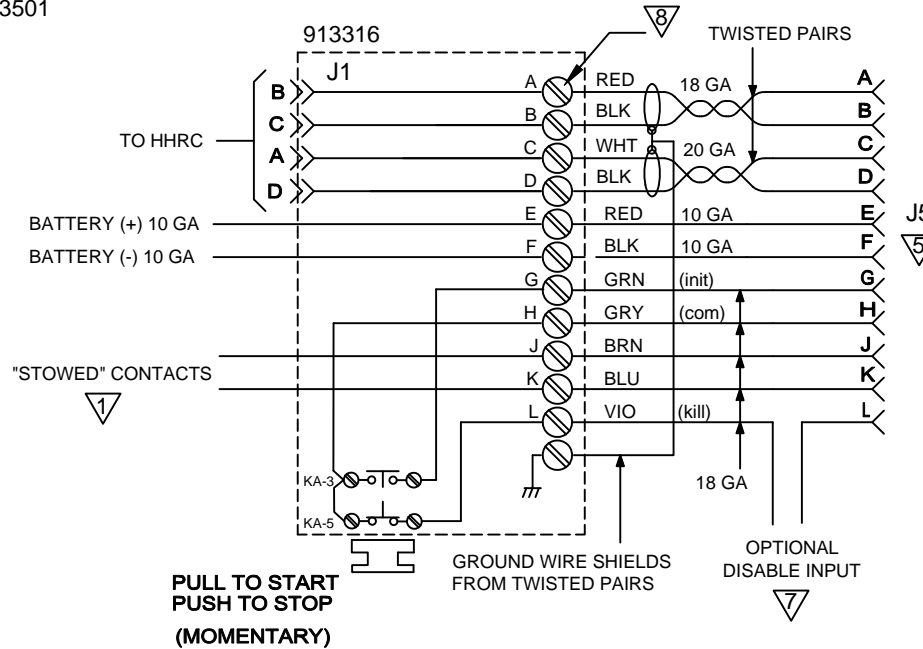


REVISIONS				
ECN	REV	DESCRIPTION	DATE	BY/APPVL
10207	00	NEW	09-07-10	DJB/JDN

**NFPA J-BOX**  
KIT 4053501



**NOTES**

- USE SW1 POSITION 6 ON BASE BOARD TO SELECT OPEN OR CLOSED WHEN NESTED.  
(SOFTWARE 6.3 AND HIGHER)  
SW1-6 OPEN = CONTACTS CLOSED WHEN NESTED  
SW1-6 CLOSED = CONTACTS OPEN WHEN NESTED.  
2 AMPS MAX CURRENT, 20 GA. MINIMUM CONDUCTOR.
- SW1 POSITION 5 ON BASE BOARD MUST BE OPEN (NFPA MODE)
- SW1 POSITION 5 ON BASE BOARD MUST BE CLOSED (STANDARD MODE)
- REMOVE JUMPER IF REPLACED BY PARKING BRAKE INTERLOCK. CLOSED WHEN BRAKE "ON".
- 4032502 (30 FT. CABLE), 4032503 (50 FT. CABLE). TO J5 ON POWERLITE BASE BOARD.
- 4032101 (20 FT. CABLE), 4032102 (50 FT. CABLE)
- OPTIONAL DISABLE INPUT, CUSTOMER SUPPLIED CONTACTS. MUST HAVE CONTINUITY TO FUNCTION. WILL NOT ALLOW OPERATION IF OPEN, ACTS AS EMERGENCY STOP.
- 4.4in-lbs, 0.5Nm
- 20 in-lbs, 2.3Nm

<b>AutoCAD Drawing:</b> NS J-Box Wiring.DWG	<b>UNLESS OTHERWISE SPECIFIED DIMENSIONS ARE IN INCHES</b>  <b>TOLERANCES ON:</b> DECIMALS    ANGLES 0 = ±            ± 1/2" 00 = ±            000 = ± FRACTIONS ±  BREAK ALL SHARP CORNERS 1/32" ON ALL MACHINED SURFACES	THIS DOCUMENT CONTAINS PROPRIETARY INFORMATION AND SHALL NOT BE USED OR REPRODUCED OR ITS CONTENTS DISCLOSED IN WHOLE OR IN PART, WITHOUT THE PRIOR WRITTEN CONSENT OF THE WILL-BURT COMPANY.		AN EMPLOYEE OWNED COMPANY ORRVILLE, OHIO
		FOR LOGISTICAL SUPPORT ONLY SIGNATURE                      DATE DR. BY DJB                      - CK. BY JDN                      - APP. BY		
<b>FINISH</b>		SIZE <b>B</b> DWG. No. <b>WD-72102</b>	SCALE    NTS	SHEET 1 OF 1