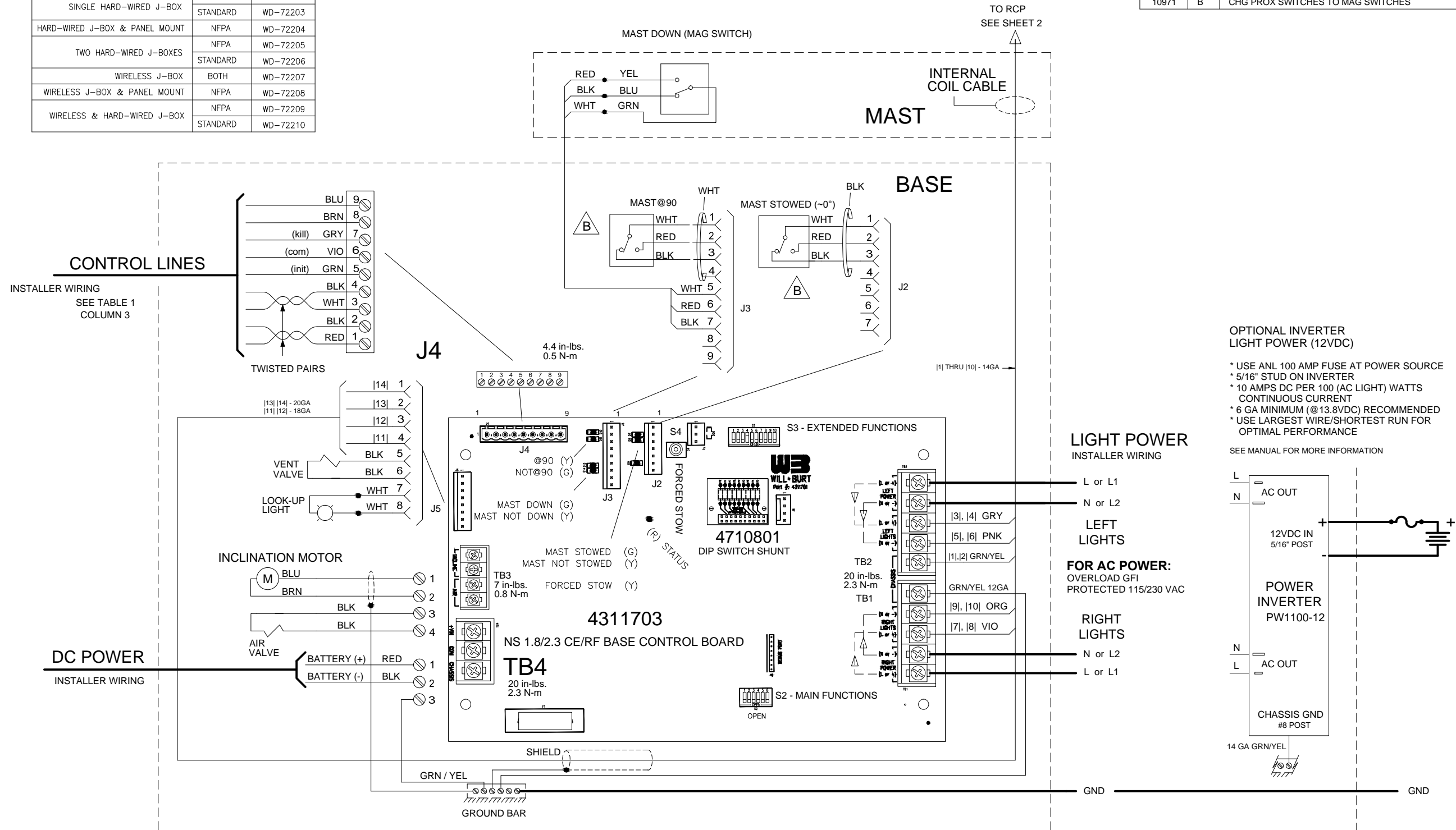


TABLE 1 - CONTROLLER WIRING

APPLICATION	TYPE	DRAWING
SINGLE HARD-WIRED PANEL MOUNT	NFPA	WD-72201
SINGLE HARD-WIRED J-BOX	NFPA	WD-72202
	STANDARD	WD-72203
HARD-WIRED J-BOX & PANEL MOUNT	NFPA	WD-72204
	NFPA	WD-72205
TWO HARD-WIRED J-BOXES	STANDARD	WD-72206
	BOTH	WD-72207
WIRELESS J-BOX & PANEL MOUNT	NFPA	WD-72208
WIRELESS & HARD-WIRED J-BOX	NFPA	WD-72209
	STANDARD	WD-72210

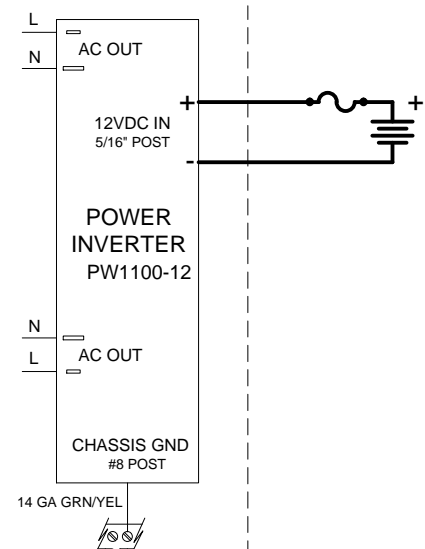
REVISIONS				
ECN	REV	DESCRIPTION	DATE	BY/APPVL
10617	00	INITIAL RELEASE	10-11-11	DJB/JMK
10828	A	ADD POWER INVERTER OPTION WIRING	12-15-11	DJB/JMK
10971	B	CHG PROX SWITCHES TO MAG SWITCHES	03-07-12	DJB/JMK



OPTIONAL INVERTER LIGHT POWER (12VDC)

- \* USE ANL 100 AMP FUSE AT POWER SOURCE
- \* 5/16" STUD ON INVERTER
- \* 10 AMPS DC PER 100 (AC LIGHT) WATTS CONTINUOUS CURRENT
- \* 6 GA MINIMUM (@ 13.8VDC) RECOMMENDED
- \* USE LARGEST WIRE/SHORTEST RUN FOR OPTIMAL PERFORMANCE

SEE MANUAL FOR MORE INFORMATION



AWG	in-lbs.
14-10 CU	20
12-10 AL	20
(2)14, 12 CU	25
(2)12, 10 AL	25
8	25
6 - 4	35

BASE DIP SWITCH S2: MAIN FUNCTIONS

POS	OFF (OPEN)	ON (CLOSED)
1	J4 8,9 CLOSED WHEN NESTED	J4 8,9 OPEN WHEN NESTED
2	NFPA MODE	STANDARD
3	RCP	NO RCP
4	ROOF MOUNT	VERTICAL
5	UNUSED	UNUSED
6	NORMAL	DO NOT USE

BASE DIP SWITCH S3: EXTENDED FUNCTIONS

POS	OFF (OPEN)	ON (CLOSED)
1	NO D-TEC	D-TEC PRESENT
2	NO WELL COVER/HATCH	WELL COVER/HATCH PRESENT
3	-	-
4	-	DEFAULT
5-10	-	-

MATERIAL  
NS Universal.DWG

FINISH

UNLESS OTHERWISE SPECIFIED DIMENSIONS ARE IN INCHES

TOLERANCES ON:  
DECIMALS ANGLES  
0 = ± 1/2"  
00 = ±  
000 = ±

FRACTIONS ±

BREAK ALL SHARP CORNERS  
1/25" ON ALL MACHINED SURFACES

THIS DOCUMENT CONTAINS PROPRIETARY INFORMATION AND SHALL NOT BE USED OR REPRODUCED OR ITS CONTENTS DISCLOSED IN WHOLE OR IN PART, WITHOUT THE PRIOR WRITTEN CONSENT OF THE WILL-BURT COMPANY.

FOR LOGISTICAL SUPPORT ONLY

SIGNATURE DATE

DR. BY DJB  
CK. BY JMK  
APP. BY

**WILL-BURT** AN EMPLOYEE OWNED COMPANY ORRVILLE, OHIO

NEXT ASSY

DESC. NightScan PowerLite WITH 4311703 UNIVERSAL CONTROL CONTROL WIRING - NO COMPRESSOR

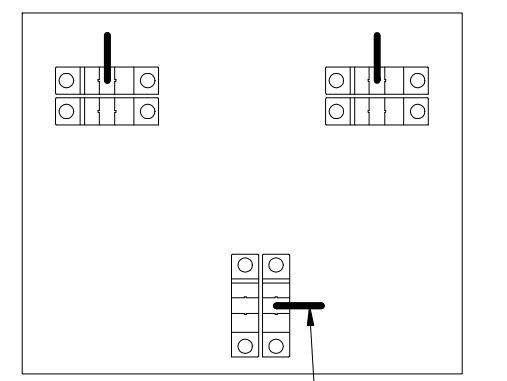
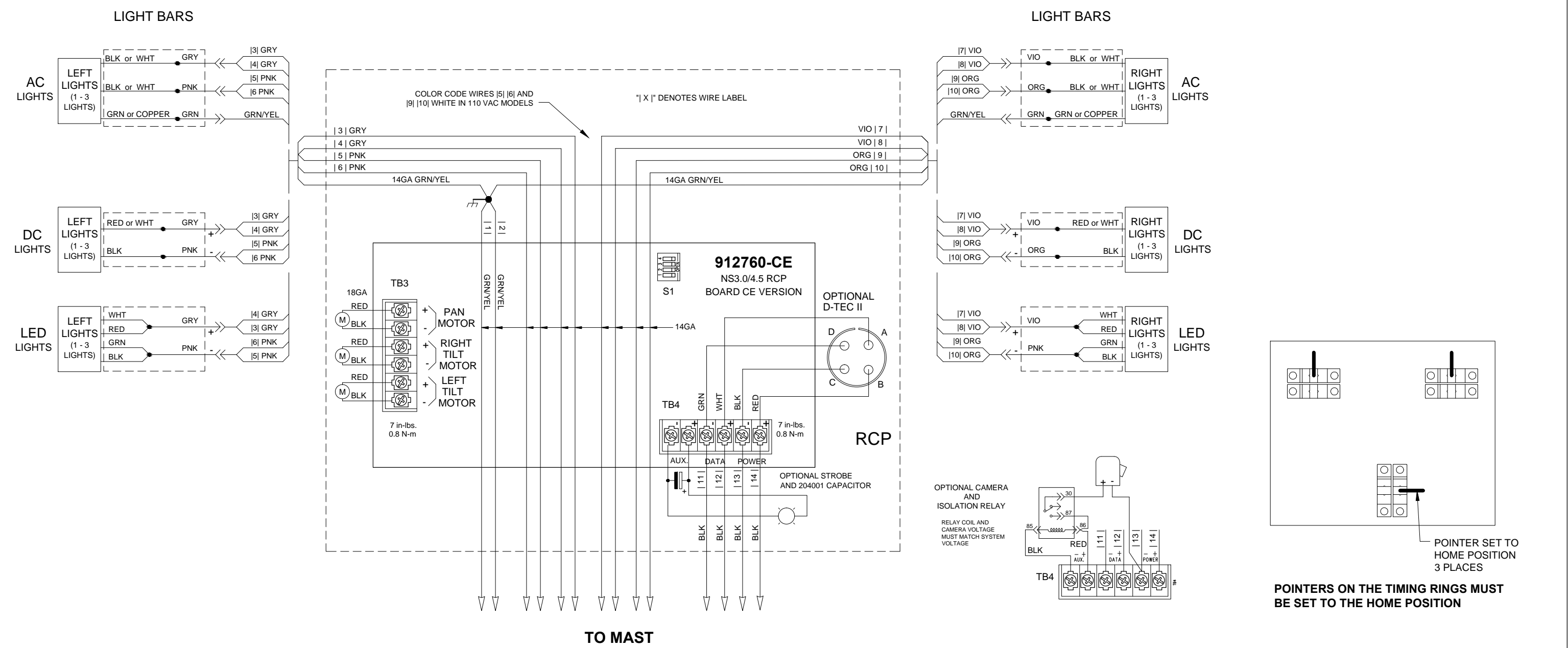
SIZE DWG. No. **B** WD-46276

SCALE NTS SHEET 1 OF 2

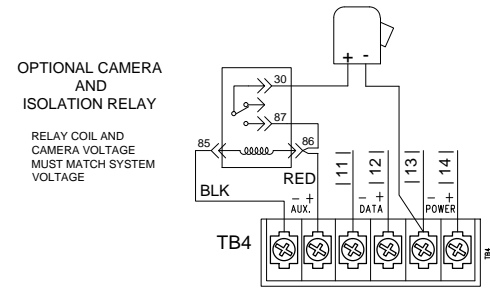
REVISIONS				
ECN	REV	DESCRIPTION	DATE	BY/APPVL
10617	00	INITIAL RELEASE	10-11-11	DJB/JMK
10828	A	ADD POWER INVERTER OPTION WIRING	12-15-11	DJB/JMK
10971	B	CHG PROX SWITCHES TO MAG SWITCHES	03-07-12	DJB/JMK

RCP DIP SWITCH S1

POS	OPEN	CLOSED
1	STOP ON FAULT	STOW ON FAULT
2	NOT PROFILER	PROFILER
3	UNUSED	UNUSED
4	UNUSED	UNUSED



POINTERS ON THE TIMING RINGS MUST BE SET TO THE HOME POSITION 3 PLACES



OPTIONAL CAMERA AND ISOLATION RELAY  
RELAY COIL AND CAMERA VOLTAGE MUST MATCH SYSTEM VOLTAGE

MATERIAL NS Universal.DWG	UNLESS OTHERWISE SPECIFIED DIMENSIONS ARE IN INCHES  TOLERANCES ON: DECIMALS ANGLES 0 = ± 1/2" 00 = ± 000 = ±	THIS DOCUMENT CONTAINS PROPRIETARY INFORMATION AND SHALL NOT BE USED OR REPRODUCED OR ITS CONTENTS DISCLOSED IN WHOLE OR IN PART, WITHOUT THE PRIOR WRITTEN CONSENT OF THE WILL-BURT COMPANY.	WILL-BURT AN EMPLOYEE OWNED COMPANY ORRVILLE, OHIO
FINISH	FRACTIONS ±  BREAK ALL SHARP CORNERS 1/25" ON ALL MACHINED SURFACES	FOR LOGISTICAL SUPPORT ONLY SIGNATURE DATE	NEXT ASSY DESC. NightScan Powerlite WITH 4311703 UNIVERSAL CONTROL CONTROL WIRING - NO COMPRESSOR
		DR. BY DJB CK. BY JMK APP. BY	SIZE DWG. No. WD-46276 SCALE NTS SHEET 2 OF 2