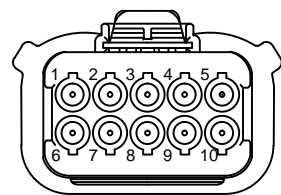
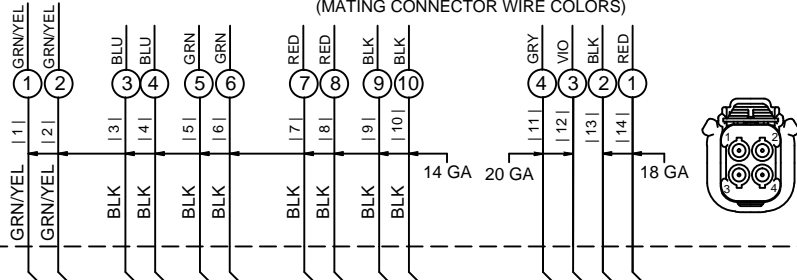


NOTES:  
1. INSTALLER CONNECTIONS.

### MAST ADAPTER



TO MATING RCP CONNECTORS  
(MATING CONNECTOR WIRE COLORS)



### MAST

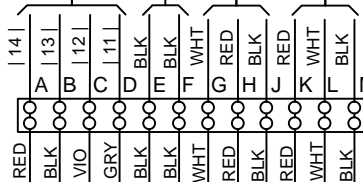
RCP STOWED (UPPER SWITCH)      MAST DOWN (LOWER SWITCH)



INTERNAL COIL CABLE

### CONTROL BOX

VENT VALVE



**TB4** COIL-CORD INTERCONNECT

CONTROL WIRES

SHIELD

LIGHT POWER WIRES

AWG	in-lbs.
14-10 CU	20
12-10 AL	20
(2)14, 12 CU	25
(2)12, 10 AL	25
8	25
6 - 4	35

GROUND BAR

MATING CONNECTOR  
MS3106E24-10SF80A206  
OR EQUIVALENT

WILL-BURT 913314 6 COND.  
CABLE OR EQUIVALENT

EARTH/CHASSIS  
GROUND CONNECTION  
(COLOR CODE WHITE)  
WIRE GREEN

### POWER IN LIGHT POWER CONNECTIONS

**FOR AC POWER:**  
OVERLOAD GFI  
PROTECTED 115/230 VAC

**FOR DC POWER:**  
OVERLOAD PROTECTED  
12/24 VDC

### BASE DIP SWITCH S3: EXTENDED FUNCTIONS

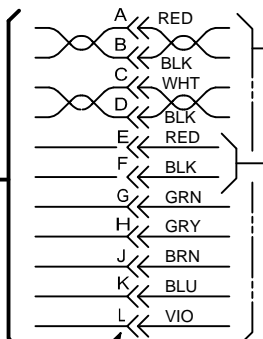
POS	OFF (OPEN)	ON (CLOSED)
1	NO D-TEC	D-TEC PRESENT
2	NO WELL COVER	WELL COVER
4	-	DEFAULT
8	-	+5 SEC. UP TO RCP ACTIVE
9	-	+10 SEC. UP TO RCP ACTIVE
3, 5-7, 10 - NOT USED		

### BASE DIP SWITCH S2

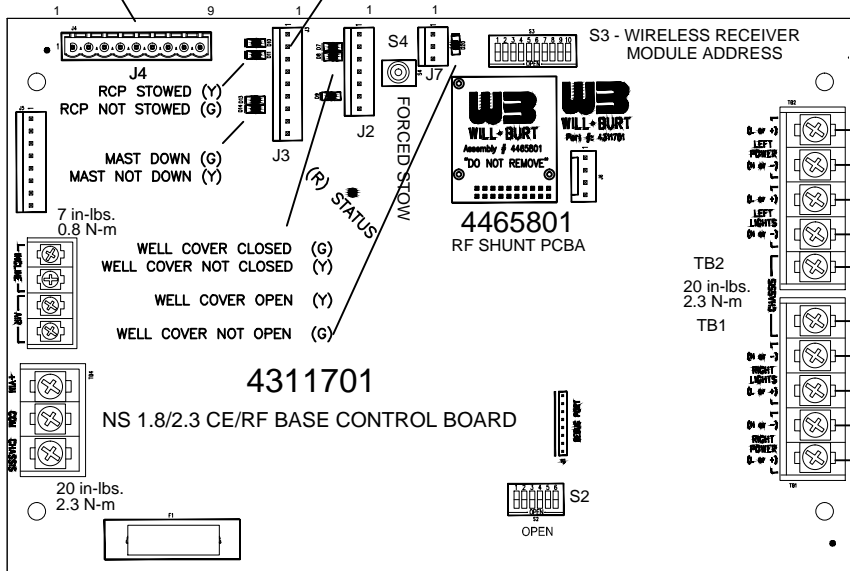
POS	OPEN	CLOSED
1	J4 8,9 CLOSED WHEN NESTED	J4 8,9 OPEN WHEN NESTED
2	NFPA MODE	STANDARD
3	RCP	NO RCP
4	ROOF MOUNT	VERTICAL
5	OPEN	DO NOT USE
6	OPEN	DO NOT USE

### CONTROL LINES, DC POWER

SEE TABLE 1



PLUG, 11 PIN, CA3106E24-20S-F80-A-206



MATERIAL NSC SYSTEM WIRING.DWG	UNLESS OTHERWISE SPECIFIED DIMENSIONS ARE IN INCHES  TOLERANCES ON: DECIMALS    ANGLES 0 = ±    ± 1/2" 00 = ± 000 = ±  FRACTIONS =  BREAK ALL SHARP CORNERS 72° ON ALL MACHINED SURFACES	THIS DOCUMENT CONTAINS PROPRIETARY INFORMATION AND SHALL NOT BE USED OR REPRODUCED OR ITS CONTENTS DISCLOSED IN WHOLE OR IN PART, WITHOUT THE PRIOR WRITTEN CONSENT OF THE WILL-BURT COMPANY.  FOR LOGISTICAL SUPPORT ONLY	AN EMPLOYEE OWNED COMPANY ORRVILLE, OHIO NEXT ASSY DESC. NS CE VERTICAL WITH 4311701 CE /RF CONTROL BASE WIRING SIGNATURE DATE DR. BY DJB - CK. BY JN - APP. BY	SIZE DWG. No. <b>B</b> 48066
				SCALE NTS SHEET 1 OF 2

TABLE 1  
JUNCTION BOX WIRING

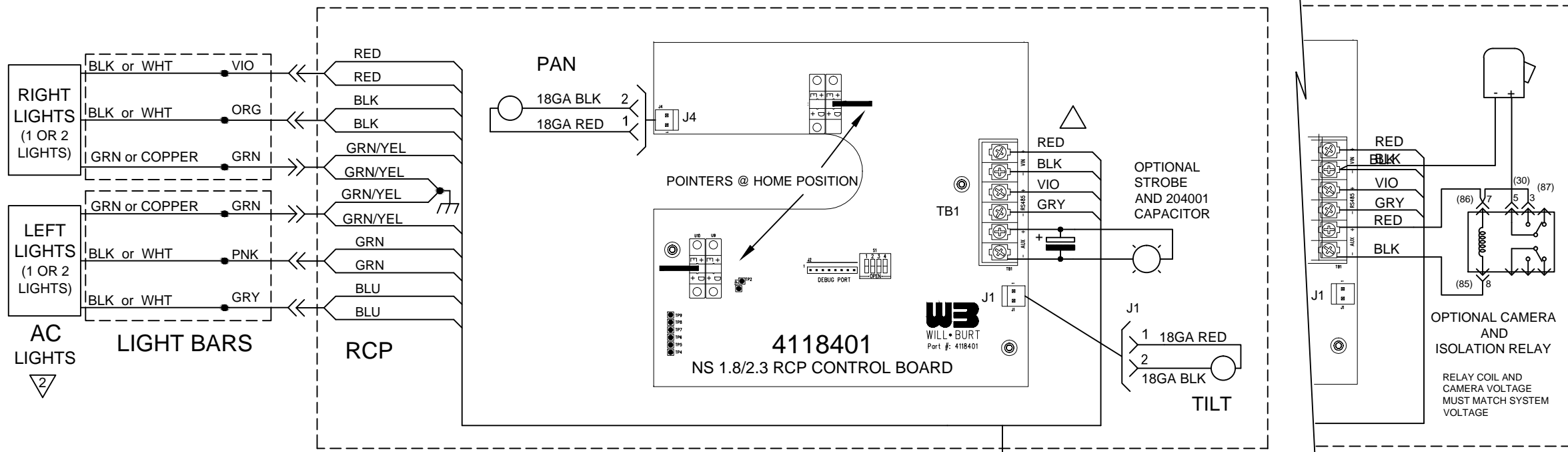
APPLICATION	TYPE	DRAWING
SINGLE HARD-WIRED PANEL MOUNT	NFPA	WD-72021
SINGLE HARD-WIRED J-BOX	NFPA	WD-72022
	STANDARD	WD-72023
TWO HARD-WIRED J-BOXES	NFPA	WD-72025
	STANDARD	WD-72026

REVISIONS				
ECN	REV	DESCRIPTION	DATE	BY/APPVL
9930	E	ADD DIPSWITCH S2-1 NESTED RELAY FUNCTION	03-29-10	DJB/JDN
9873	F	ADD ALTERNATE WIRING FOR LED LIGHTS.	04-14-10	DJB/JDN
10060	G	MOVE INPUT OPTIONS TO NEW DRAWINGS CALLED OUT IN TABLE 1, OPTIONAL CAMERA ISOLATION RELAY ADDED TO RCP PAGE 2	10-06-10	DJB/JDN
10733	H	DELETE RCP LIGHT POWER TERMINAL BLOCK, ADD ALTERNATE LIGHT WIRING.	11-3-11	DJB/JNK
12261	J	UPDATE S3 FUNCTION TABLE FOR 7.3 SOFTWARE	06-25-14	DJB/JLK

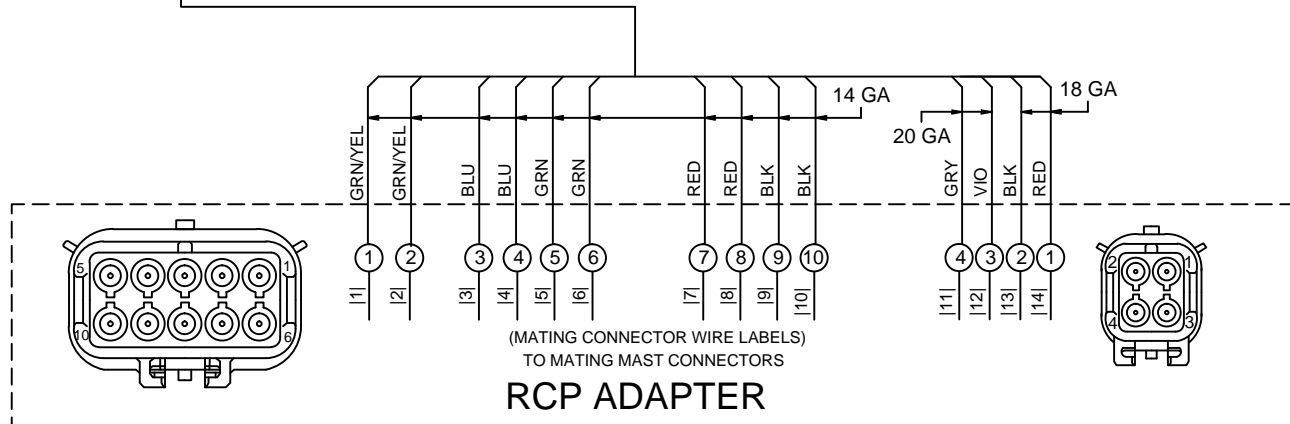
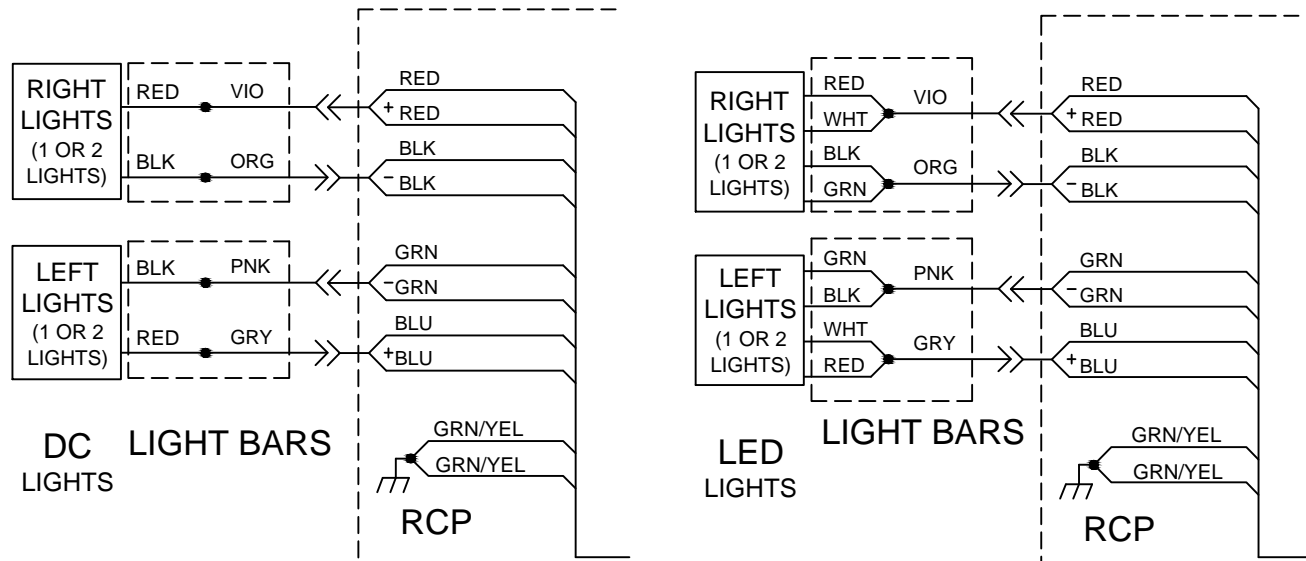
NOTES:  
 2. AC LIGHTS MAY HAVE 2 BLACK WIRES, 2 WHITE WIRES OR 1 BLACK AND 1 WHITE WIRE.

RCP DIP SWITCH S1

POS	OPEN	CLOSED
1	STOP ON FAULT	STOW ON FAULT
2	RCP	POSITIONER
3	STOW WHILE LOWERING	STOW BEFORE LOWERING
4	UNUSED	UNUSED



ALTERNATE WIRING



MATERIAL NSC SYSTEM WIRING.DWG	UNLESS OTHERWISE SPECIFIED DIMENSIONS ARE IN INCHES  TOLERANCES ON: DECIMALS    ANGLES 0 = ±        ± 1/2" 00 = ±       ± 1/4" 000 = ±      ± 1/8"  FRACTIONS ±  BREAK ALL SHARP CORNERS 1/25" ON ALL MACHINED SURFACES	THIS DOCUMENT CONTAINS PROPRIETARY INFORMATION AND SHALL NOT BE USED OR REPRODUCED OR ITS CONTENTS DISCLOSED IN WHOLE OR IN PART, WITHOUT THE PRIOR WRITTEN CONSENT OF THE WILL-BURT COMPANY.  FOR LOGISTICAL SUPPORT ONLY SIGNATURE        DATE DR.BY DJB        - CK.BY JN         - APP.BY	AN EMPLOYEE OWNED COMPANY ORRVILLE, OHIO NEXT ASSY	
			DESC.    NS CE VERTICAL WITH 4311701 CE /RF CONTROL RCP WIRING SIZE    DWG. No.    48066 SCALE    NTS        SHEET 2 OF 2	