

REVISIONS				
ECN	REV	DESCRIPTION	DATE	BY/APPVL
9820	F	ADD CAPACITOR TO AUX OUTPUT FOR STROBE OPTION (PAGE 5)	01-27-10	DJB/JDN
9930	G	PAGE 4: ADD DIPSWITCH 6 NESTED RELAY FUNCTION	03-25-10	DJB/JDN
10165	H	ADD LINE FILTERS AND FUSES IN LIGHT POWER CIRCUIT (PAGE 4)	08-18-10	DJB/JDN
10217	J	MOVE PAGES 1-3 (J-BOX WIRING) TO NEW DRAWINGS, ADD TABLE 1. DELETE LINE FILTERS AND FUSES. ADD OPTIONAL CAMERA ISOLATION RELAY. ADD COIL CORD WIRE COLORS.	10-05-10	DJB/JDN

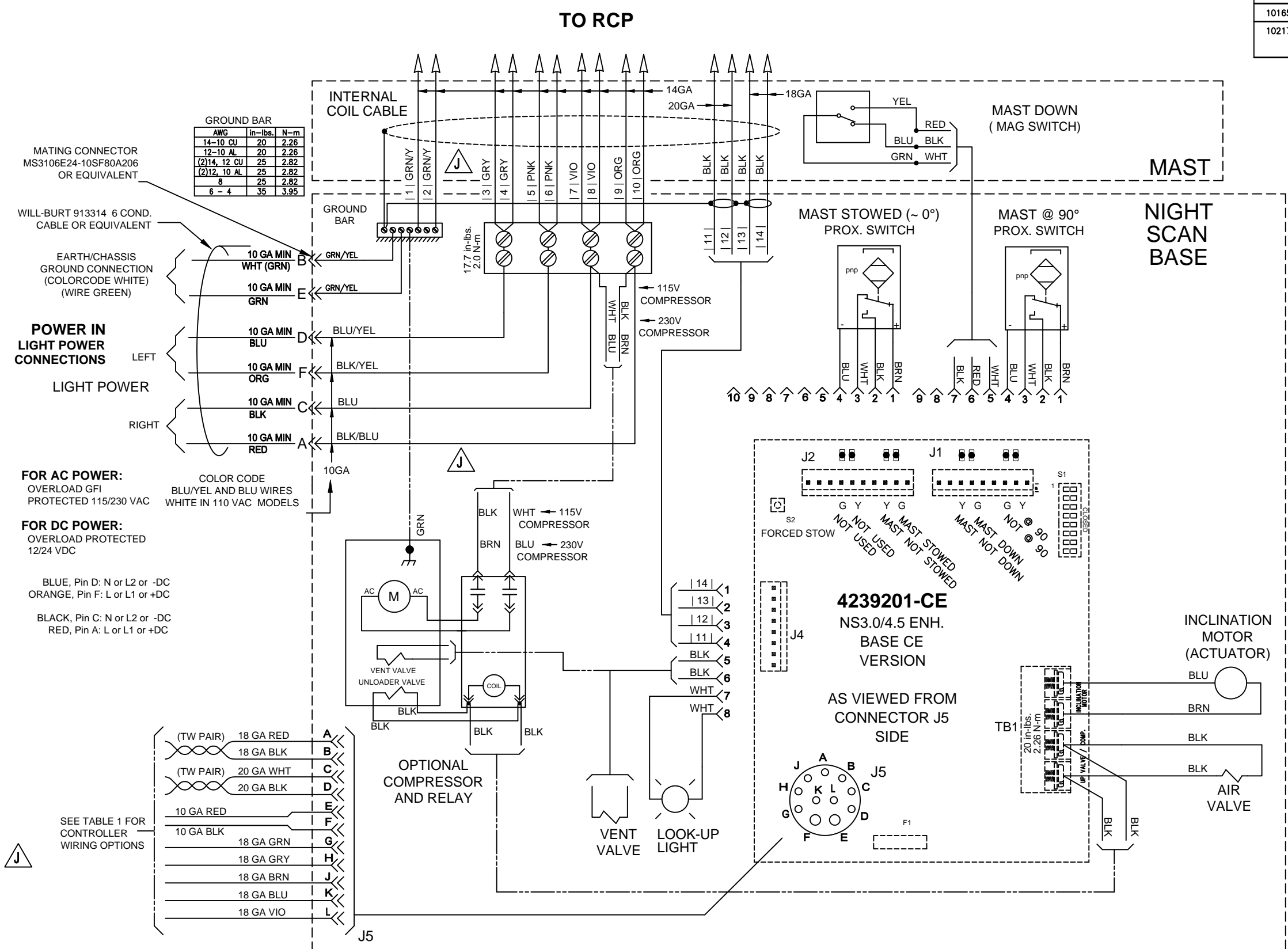


TABLE 1
CONTROLLER WIRING

APPLICATION	TYPE	DRAWING
SINGLE HARD-WIRED PANEL MOUNT	NFPA	WD-72101
SINGLE HARD-WIRED J-BOX	NFPA	WD-72102
	STANDARD	WD-72103
HARD-WIRED J-BOX & PANEL MOUNT	NFPA	WD-72104
	STANDARD	WD-72105
TWO HARD-WIRED J-BOXES	NFPA	WD-72106
	STANDARD	WD-72107
WIRELESS J-BOX	BOTH	WD-72108
WIRELESS J-BOX & PANEL MOUNT	NFPA	WD-72109
	STANDARD	WD-72110

TABLE 2
BASE DIP SWITCH S1

POS	OPEN	CLOSED
1	D-TEC II ABSENT	D-TEC II PRESENT
2	ROOF MOUNT	VERTICAL MAST
3	RCP	NO RCP
4	WELL COVER ABSENT	WELL COVER PRESENT
5	NFPA	STANDARD
6	P5 J,K CLOSED WHEN NESTED	P5 J,K OPEN WHEN NESTED
7	UNUSED	UNUSED
8	FACTORY USE ONLY	FACTORY USE ONLY

MATERIAL
Powerlite Roofmount Wiring2.dwg

FINISH

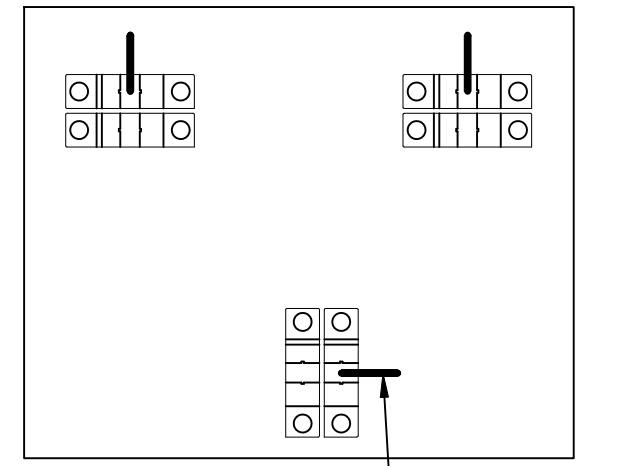
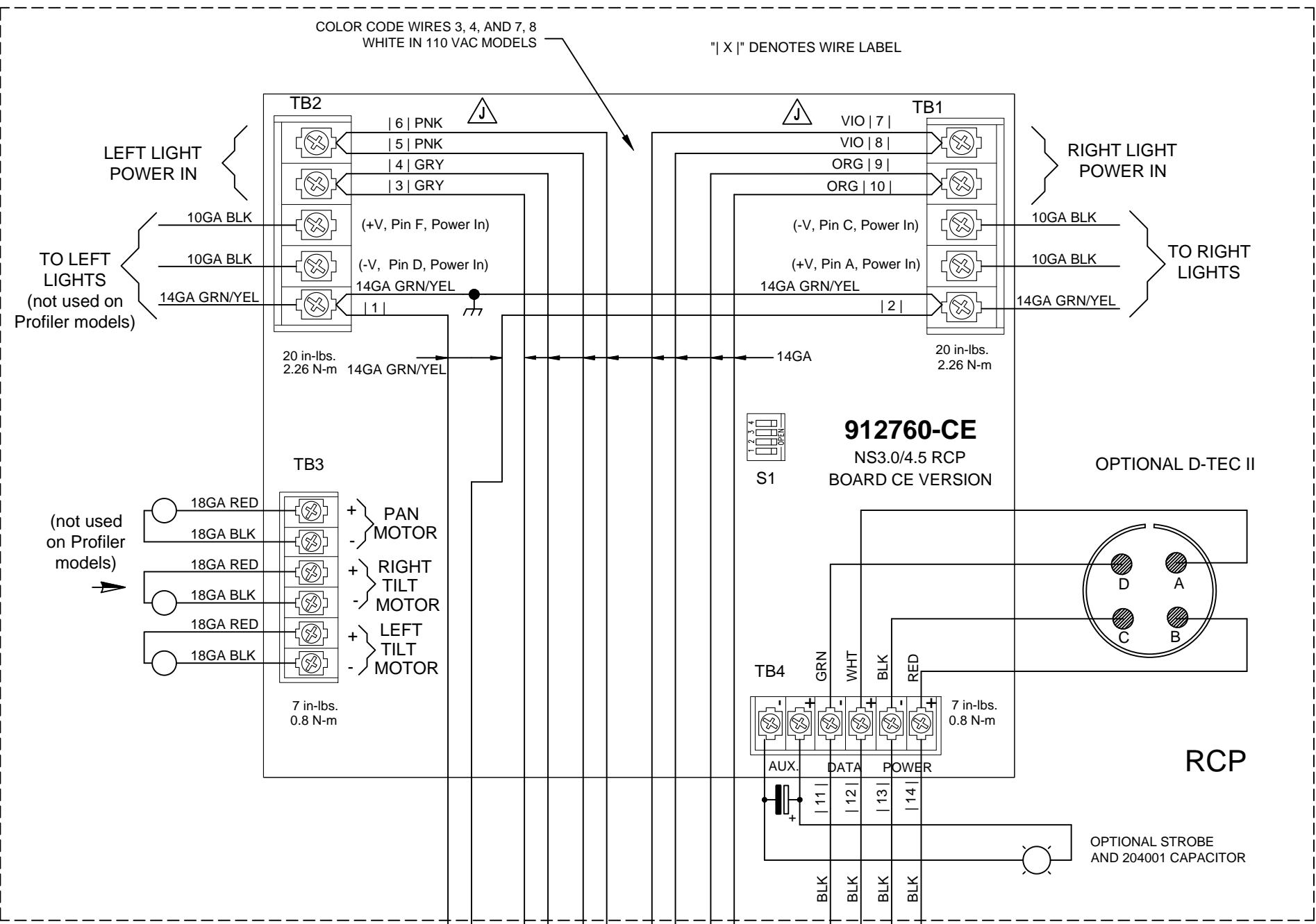
THIS DOCUMENT CONTAINS PROPRIETARY INFORMATION AND SHALL NOT BE USED OR REPRODUCED OR ITS CONTENTS DISCLOSED IN WHOLE OR IN PART, WITHOUT THE PRIOR WRITTEN CONSENT OF THE WILL-BURT COMPANY.

WILL-BURT
AN EMPLOYEE OWNED COMPANY
ORRVILLE, OHIO
NEXT ASSY

FOR LOGISTICAL SUPPORT ONLY

SIGNATURE	DATE	SIZE	DWG. No.
DR. BY DJB	04-10-08	B	42690
CK. BY JN	04-14-08		
APP. BY		SCALE NTS	SHEET 1 OF 2

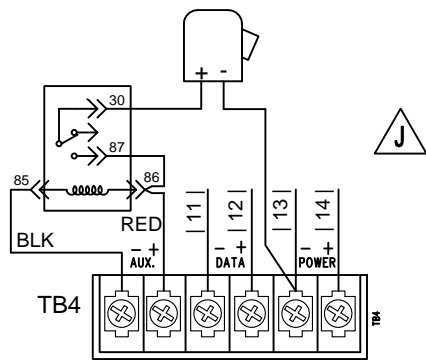
REVISIONS				
ECN	REV	DESCRIPTION	DATE	BY/APPVL
9820	F	ADD CAPACITOR TO AUX OUTPUT FOR STROBE OPTION (PAGE 5)	01-27-10	DJB/JDN
9930	G	PAGE 4: ADD DIPSWITCH 6 NESTED RELAY FUNCTION	03-25-10	DJB/JDN
10165	H	ADD LINE FILTERS AND FUSES IN LIGHT POWER CIRCUIT (PAGE 4)	08-18-10	DJB/JDN
10217	J	MOVE PAGES 1-3 (J-BOX WIRING) TO NEW DRAWINGS, ADD TABLE 1. DELETE LINE FILTERS AND FUSES. ADD OPTIONAL CAMERA ISOLATION RELAY. ADD COIL CORD WIRE COLORS.	10-05-10	DJB/JDN



POINTERS ON THE TIMING RINGS MUST BE SET TO THE HOME POSITION

RCP DIP SWITCH S1

POS	OPEN	CLOSED
1	STOP ON FAULT	STOW ON FAULT
2	NOT PROFILER	PROFILER
3	UNUSED	UNUSED
4	UNUSED	UNUSED



OPTIONAL CAMERA AND ISOLATION RELAY
RELAY COIL AND CAMERA VOLTAGE MUST MATCH SYSTEM VOLTAGE

TO MAST

MATERIAL Powerlite Roofmount Wiring2.dwg	THIS DOCUMENT CONTAINS PROPRIETARY INFORMATION AND SHALL NOT BE USED OR REPRODUCED OR ITS CONTENTS DISCLOSED IN WHOLE OR IN PART, WITHOUT THE PRIOR WRITTEN CONSENT OF THE WILL-BURT COMPANY.	AN EMPLOYEE OWNED COMPANY ORRVILLE, OHIO NEXT ASSY	
		NS 3.0/4.5 ROOF MOUNT WITH 4239201-CE CONTROL RCP WIRING	
FINISH	FOR LOGISTICAL SUPPORT ONLY		SIZE DWG. No.
	SIGNATURE	DATE	B 42690
	DR.BY DJB	04-10-08	SCALE NTS
CK.BY JN	04-14-08		SHEET 2 OF 2
APP.BY			