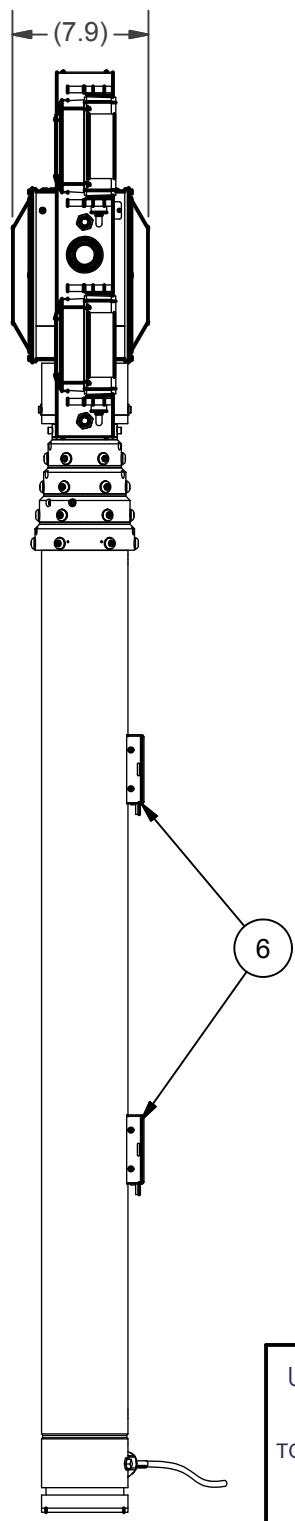
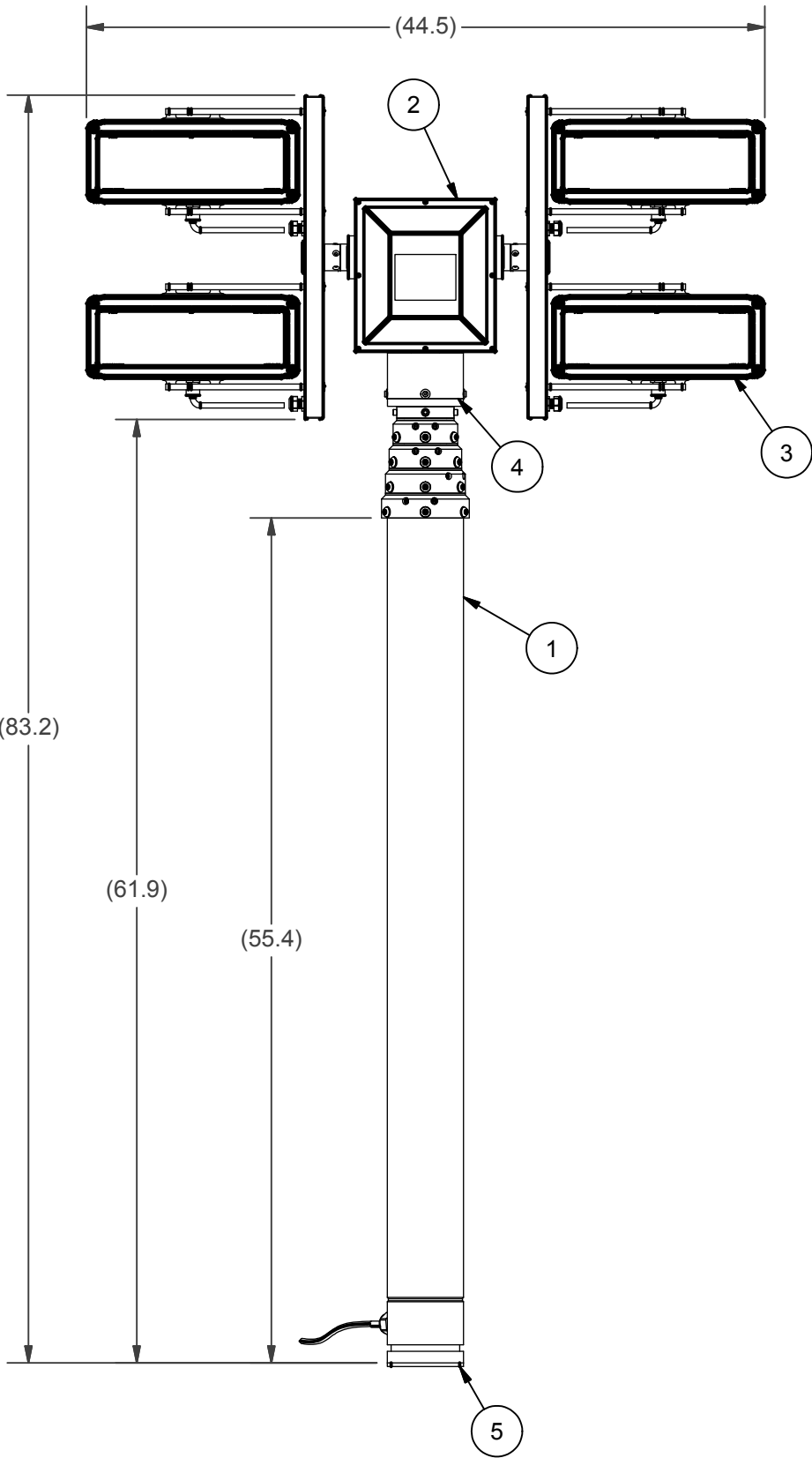


REVISION HISTORY				
ECN	REV	DESCRIPTION	DATE	BY/APPR
12937	00	INITIAL RELEASE	10/13/2015	RCC



NOTE:
SEE SALES ORDER FOR EXTRA ITEMS TO BE SHIPPED

BOM			
ITEM	QTY	PART NUMBER	DESCRIPTION
1	REF	914431	VRT MAST L.D. 5.4-17 IWM
2	1	4742507	RCP ASSEMBLY NS VERTICAL
3	1	5170306	SPCTR 920W (4X230W) 120VAC VRT WHT
4	1	4548201	O-RING, BUNA AS568A244
5	REF	914981	5" Base Plate NR
6	REF	915422	Magnetic Switch Bracket Asm.
7	1	4267401	POWERLITE VERT. ACCESSORY KIT (Not Shown)
8	1	4356901	FOAM INSERTS AND CARTON KIT (Not Shown)

UNLESS OTHERWISE SPECIFIED
DIMENSIONS ARE IN INCHES.

TOLERANCES ON DECIMALS ANGLES
 0 = ± 0.030 ± 1/2°
 00 = ± 0.010
 000 = ± 0.005

FRACTIONAL ± 1/64"
 1. ALL INSIDE EDGES TO HAVE
 .005" TO .035" FILLETS.
 2. ALL OUTSIDE EDGES TO HAVE
 .005" TO .015" CHAMFER OR RADIUS.

125° ON ALL MACHINED SURFACES

APPROX. WT:112.9 lbmass

THIRD ANGLE PROJECTION



PROPRIETARY AND CONFIDENTIAL
 THE INFORMATION CONTAINED IN THIS
 DRAWING IS THE SOLE PROPERTY OF THE
 WILL-BURT COMPANY ANY REPRODUCTION
 IN PART OR WHOLE WITHOUT THE WRITTEN
 PERMISSION OF THE WILL-BURT COMPANY IS
 PROHIBITED.



TITLE
**VRT 920(4x230W)SPC LED
 110V**

APPROVALS	DATE
DRAWN RCC	10/13/2015
CHECKED	

SIZE	DWG NO	REV
B	720079121	00
PN: 720079121		SHEET 1 OF 1