

4

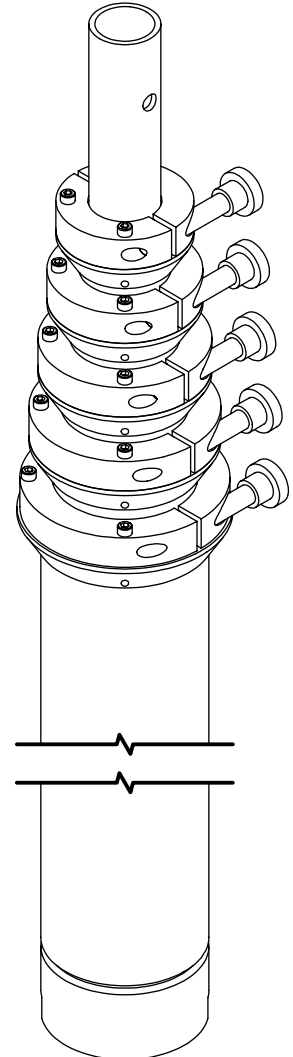
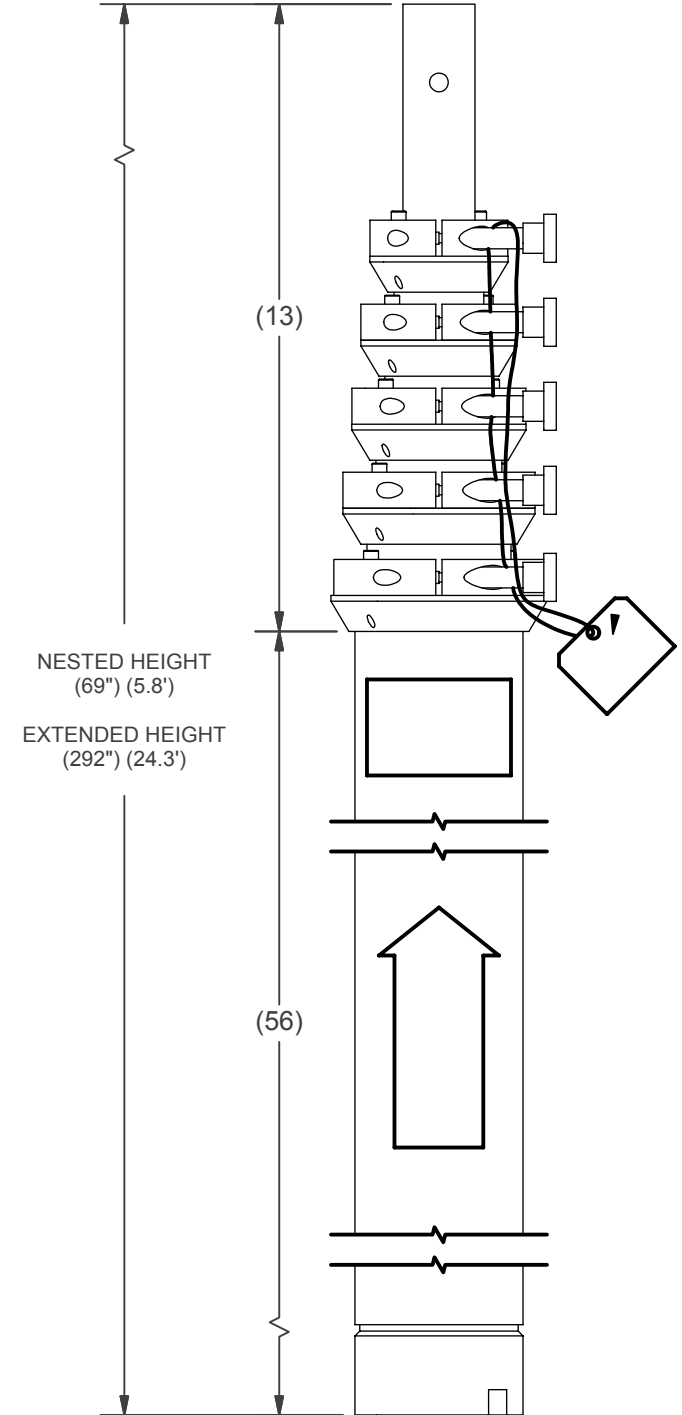
3

2

1

REVISION HISTORY

ECN	REV	DESCRIPTION	DATE	BY/APPR
4245	A	SEE ECN	6/7/95	
7873	B	ADD MADE IN USA LABEL	7/31/05	
8497	C	ADDED REF. DIMS. TO ANTENNA STUB	11/3/06	KN/
8581	D	INVENTOR REDRAW	1/9/2007	KN/



MATERIAL SEE BOM
FINISH REF: MIL-A-8625 TYPE II, CLASS 2 COLOR: BLACK
APPROX. WT: LB
THIRD ANGLE PROJECTION

UNLESS OTHERWISE SPECIFIED
DIMENSIONS ARE IN INCHES.

TOLERANCES ON DECIMALS ANGLES
 0 = .060 1/2~
 00 = .030
 000 = .005

FRACTIONAL 1/64"
 1. ALL INSIDE EDGES TO HAVE
 .005" TO .035" FILLETS.
 2. ALL OUTSIDE EDGES TO HAVE
 .005" TO .015" CHAMFER OR RADIUS.

1/25 ON ALL MACHINED SURFACES

PROPRIETARY AND CONFIDENTIAL
 THE INFORMATION CONTAINED IN THIS
 DRAWING IS THE SOLE PROPERTY OF THE
 WILL-BURT COMPANY ANY REPRODUCTION
 IN PART OR WHOLE WITHOUT THE WRITTEN
 PERMISSION OF THE WILL-BURT COMPANY IS
 PROHIBITED.

W3 AN EMPLOYEE OWNED COMPANY
 WILL-BURT ORRVILLE, OH

TITLE HURRY UP MAST 6-25			
SIZE B	DWG NO B-1400	REV D	
PN: 903614		SHEET 1 OF 3	

APPROVALS	DATE
DRAWN PBB	12-1-92
CHECKED	

B

B

A

A

4

3

2

1