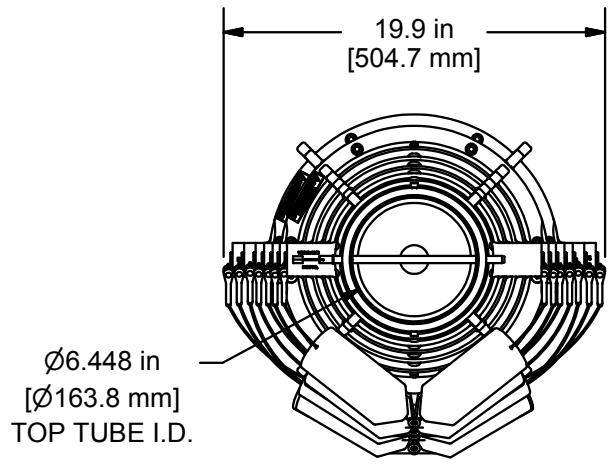
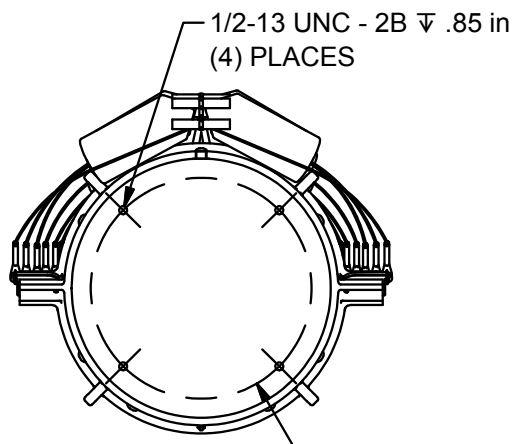


8-39'
ULTRA HEAVY DUTY
LOCKING MAST



VIEW M-M



VIEW L-L

- 1 ALL DIMENSIONS APPLY WITHOUT MOUNTING ACCESSORIES.
- 2 ADDITIONAL MAST SURFACE FINISHES OPTIONAL.

MATERIAL:	PROPRIETARY AND CONFIDENTIAL THE INFORMATION CONTAINED IN THIS DRAWING IS THE SOLE PROPERTY OF THE WILL-BURT COMPANY ANY REPRODUCTION IN PART OR WHOLE WITHOUT THE WRITTEN PERMISSION OF THE WILL-BURT COMPANY IS PROHIBITED.		W3 AN EMPLOYEE OWNED COMPANY WILL-BURT ORRVILLE, OH	
FINISH:	CLEAR ANODIZE		TITLE: PNEU MAST 8-39 UHDL CUSTOMER DRAWING	
DRAWING NOT TO SCALE	UNLESS OTHERWISE SPECIFIED DIMENSIONS ARE IN INCHES THIRD ANGLE PROJECTION		P/N: 710991201	DATE: 8/6/2015
ALL DIMENSIONS AND PERFORMANCE PARAMETERS ARE PROVIDED FOR REFERENCE ONLY AND ARE SUBJECT TO CHANGE WITHOUT NOTICE.		APPROXIMATE WEIGHT: 607 LB [275.3 KG]	TUBE SET: Ø6.75 - Ø13.50	DRAWN BY: RRM
				REV B