
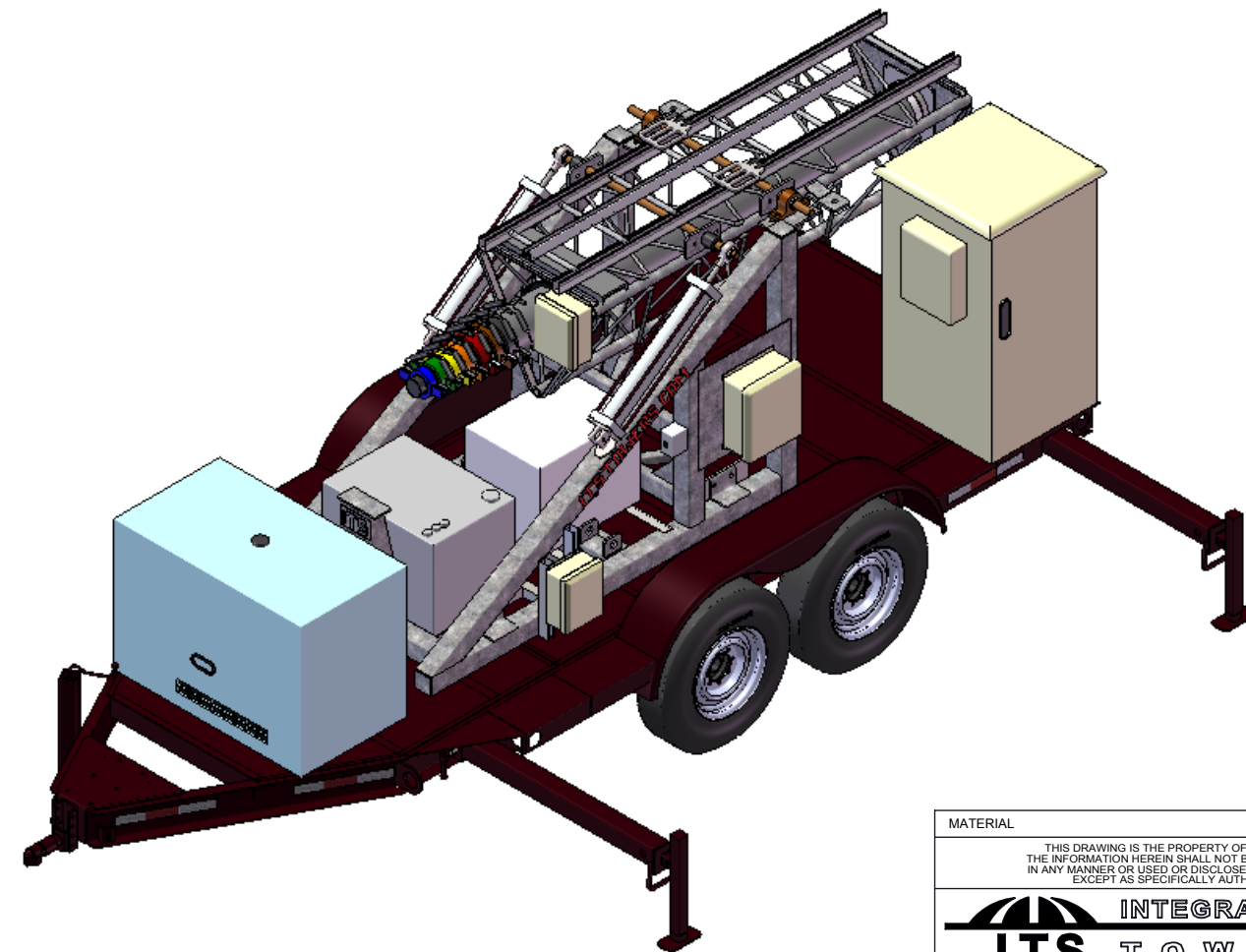
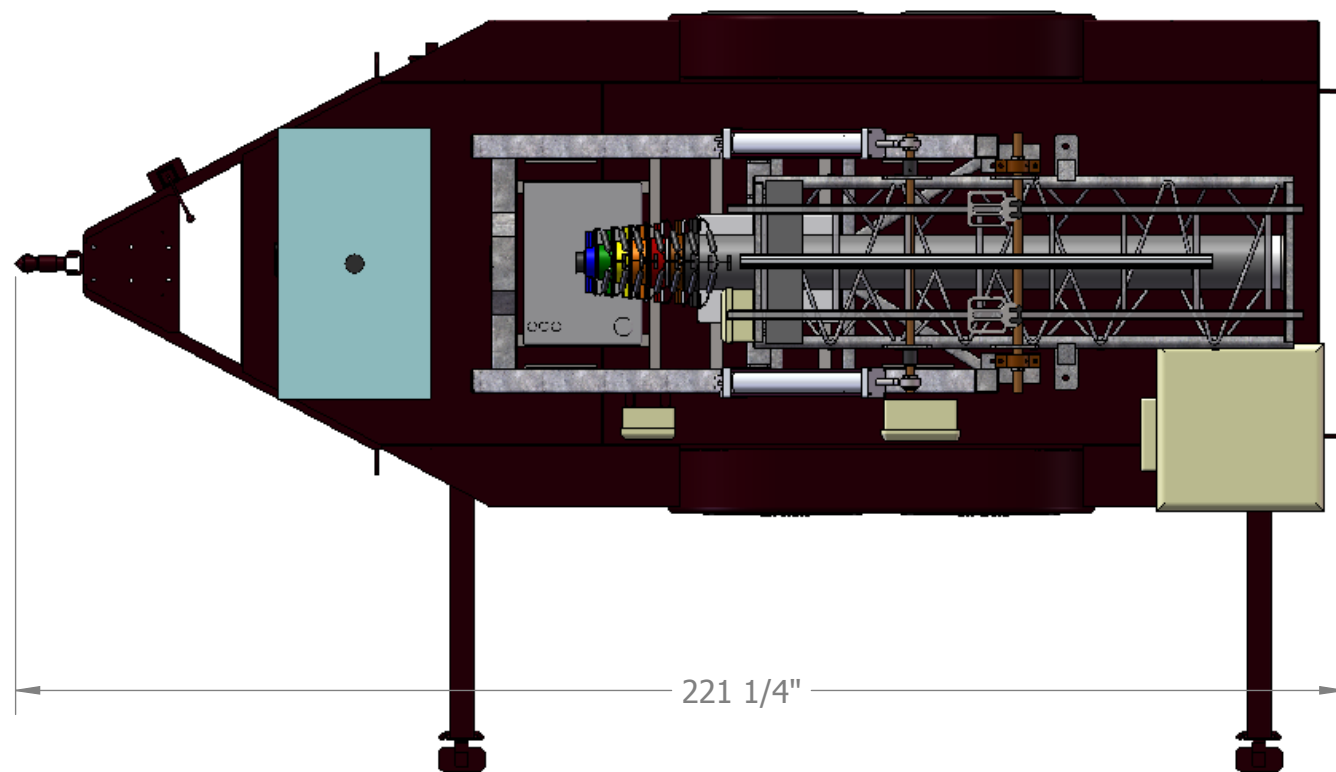
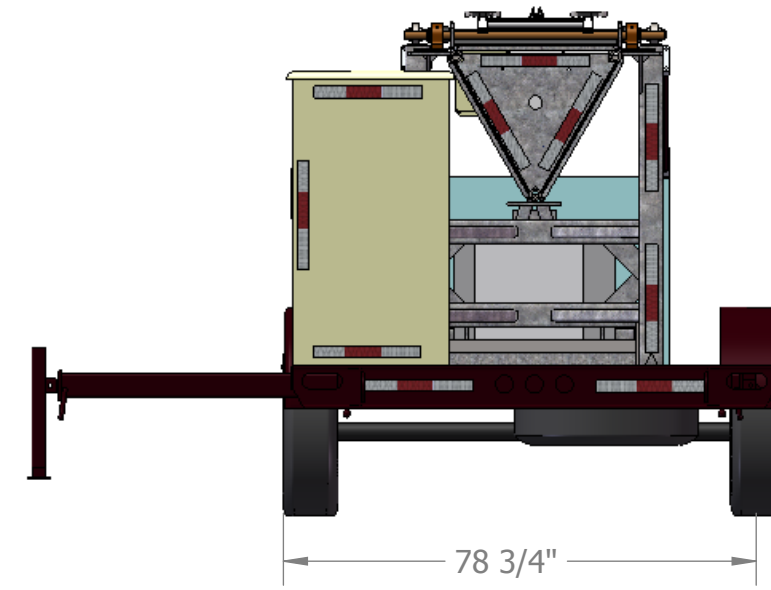
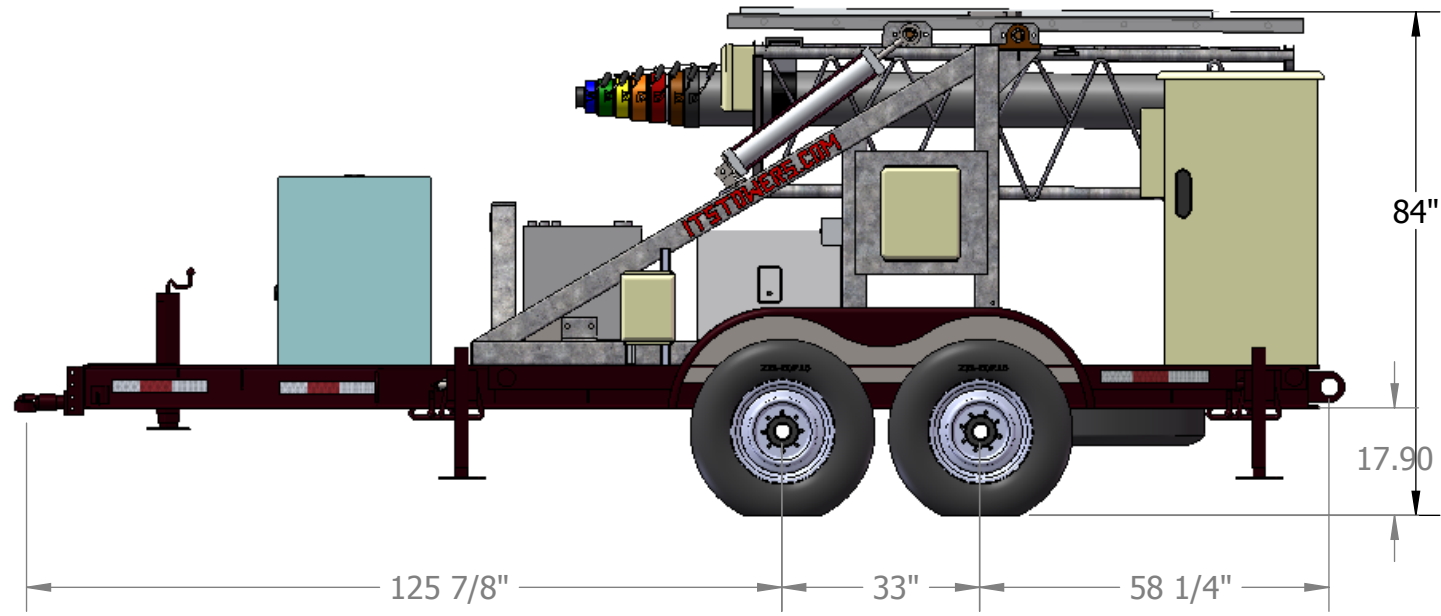
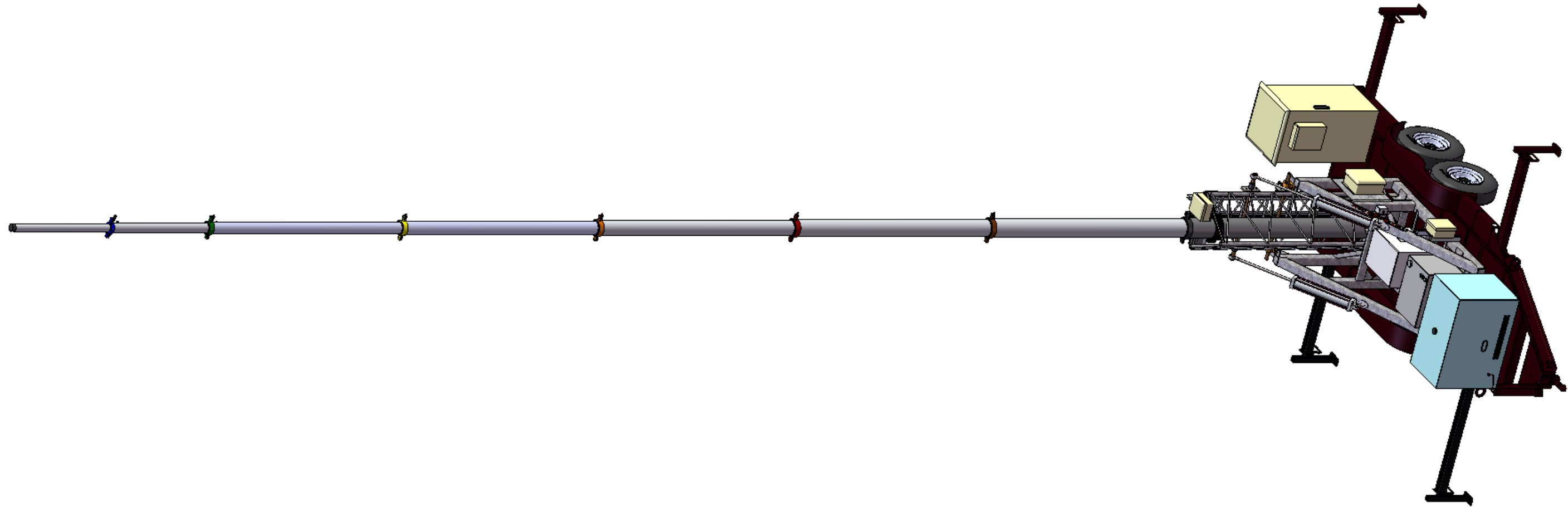





<p>MATERIAL</p> <p>THIS DRAWING IS THE PROPERTY OF INTEGRATED TOWER SYSTEMS. THE INFORMATION HEREIN SHALL NOT BE REPRODUCED OR TRANSFERRED IN ANY MANNER OR USED OR DISCLOSED TO OTHERS FOR ANY PURPOSES, EXCEPT AS SPECIFICALLY AUTHORIZED IN WRITING BY ITS.</p>					
 <p>INTEGRATED ITS TOWER SYSTEMS</p>			<p>ITS WWW.ITSTOWERS.COM 918-749-8535</p>		
<p>REMOVE BURRS & BREAK ALL SHARP EDGES, UNLESS OTHERWISE SPECIFIED</p>		<p>DRAWN BY: JFH</p>		<p>TITLE: MT-7K/60</p>	
<p>TOLERANCES: FABRICATION: ±.116 MACHINING: ±.164 FRACTIONS: ±.164 FINISH: ±.005</p>		<p>CHECKED BY: CC</p>		<p>DRAWING # MT7K-60.2</p>	
<p>DECIMALS:</p>		<p>APPROVED BY: CC</p>		<p>DATE: 04/15/2012</p>	
				<p>1:32</p>	
				<p>SHEET 1 OF 1</p>	



<p>MATERIAL</p> <p>THIS DRAWING IS THE PROPERTY OF INTEGRATED TOWER SYSTEMS. THE INFORMATION HEREIN SHALL NOT BE REPRODUCED OR TRANSFERRED IN ANY MANNER OR USED OR DISCLOSED TO OTHERS FOR ANY PURPOSES, EXCEPT AS SPECIFICALLY AUTHORIZED IN WRITING BY ITS.</p>					
<p>INTEGRATED ITS TOWER SYSTEMS</p>		<p>ITS WWW.ITSTOWERS.COM 918-749-8535</p>			
<p>REMOVE BURRS & BREAK ALL SHARP EDGES, UNLESS OTHERWISE SPECIFIED. DIMENSIONS IN INCHES.</p>		<p>DRAWN BY: JFH</p>		<p>TITLE: MT-7K60</p>	
<p>TOLERANCES: FABRICATION: ±.116 MACHINING: ±.164 FRACTIONS: ±.164 FINISH: ±.005</p>		<p>CHECKED BY: CC</p>		<p>DRAWING # MT-7K60.4</p>	
		<p>APPROVED BY: CC</p>		<p>DATE 04/17/2012</p>	<p>SCALE 1:32</p>
				<p>SHEET 1 OF 1</p>	



MATERIAL					
THIS DRAWING IS THE PROPERTY OF INTEGRATED TOWER SYSTEMS. THE INFORMATION HEREIN SHALL NOT BE REPRODUCED OR TRANSFERRED IN ANY MANNER OR USED OR DISCLOSED TO OTHERS FOR ANY PURPOSES, EXCEPT AS SPECIFICALLY AUTHORIZED IN WRITING BY ITS.					
			ITS WWW.ITSTOWERS.COM 918-749-8535		
			INTEGRATED TOWER SYSTEMS		
REMOVE BURRS & BREAK ALL SHARP EDGES, UNLESS OTHERWISE SPECIFIED	DRAWN BY:	TITLE:			
	JFH	MT-7K60			
TOLERANCES:	CHECKED BY:	DRAWING #			
FABRICATION: ±.116	CC	MT-7K60.EXT			
MACHINING: ±.164	APPROVED BY:	DATE	SCALE	SHEET	
FRACTIONS: ±.164	CC	04/18/2012	1:48	1 OF 1	
FINISH: ±.005					
DECIMALS:					