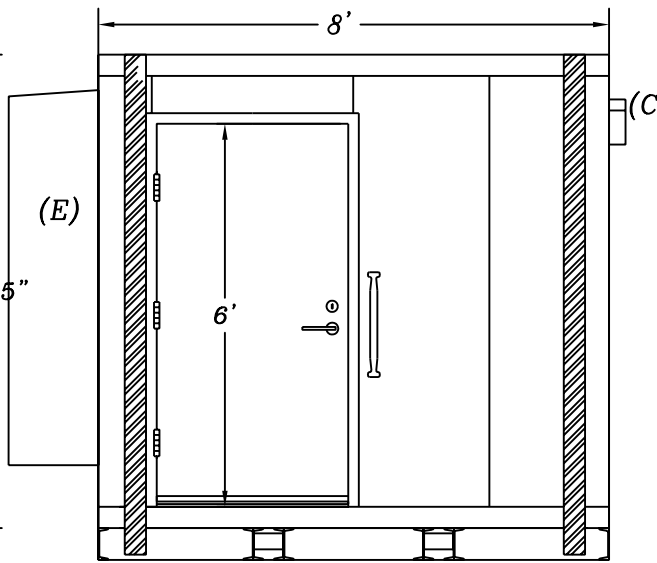
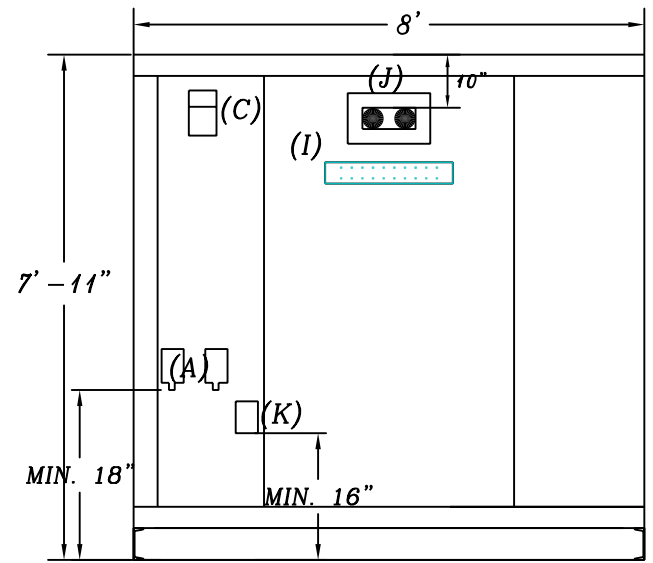


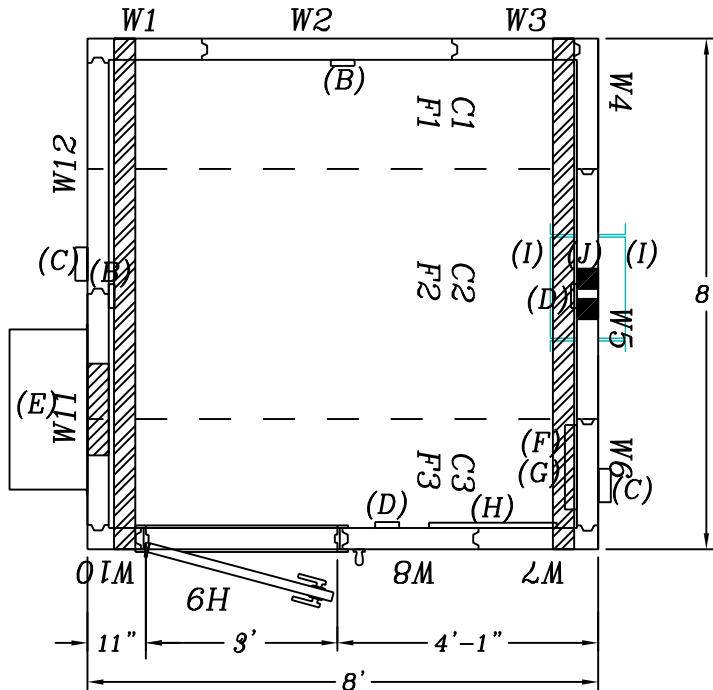
LEFT ELEVATION



FRONT ELEVATION




RIGHT ELEVATION

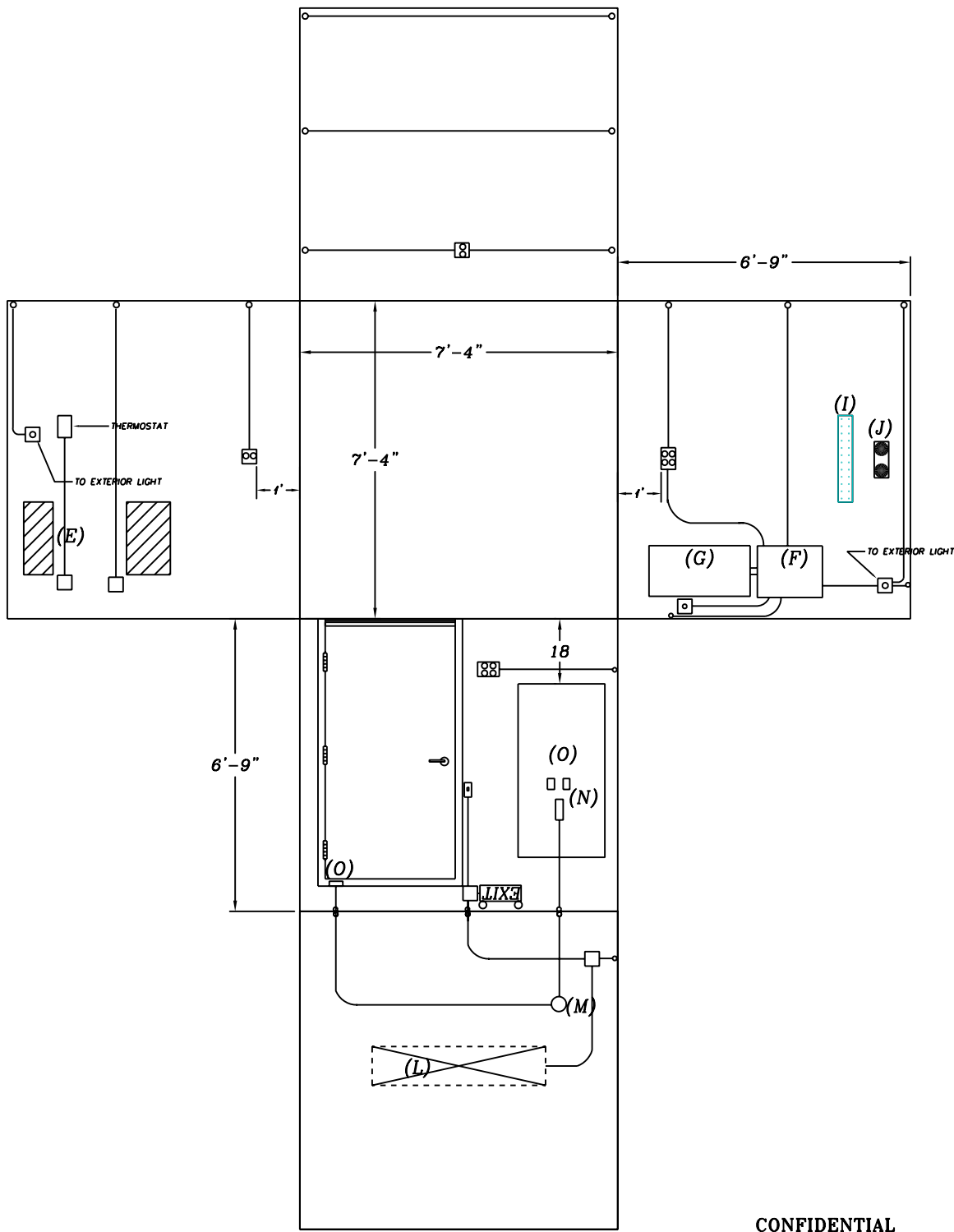


- (A) 2" LB POWER ENTRY
- (B) DUPLEX RECEPTACLE
- (C) SODIUM EXTERIOR LIGHT
- (D) QUAD PLEX RECEPTACLE
- (E) BARD A/C - 2 TON COOLING - 3 kw HEAT
- (F) 100 AMP LOAD CENTER
- (G) 100 AMP MANUAL TRANSFER SWITCH
- (H) PUNCH DOWN BLOCK ON 2' X 4' TELCO BOARD
- (I) GROUND BAR 24" X 4" X 1/4"
- (J) MICROFLECT 2 HOLE ENTRY PORT
- (K) GFCI RECEPTACLE

ELECTRICAL COMPLETION FOR
BUILDING: 8'-0" X 8'-0" X 7'-5"


| | | |
|---|-----------|---|
|  | | INTEGRATED ITS TOWER SYSTEMS |
| CUSTOMER | | |
| JOB# M20880EL2 | DWG. REF. | DATE: 3/4/2008 |
| SCALE: | APV. | DRAWN SR |

- (E) BARD A/C - 2 TON COOLING - 3 kw HEAT
- (F) 100 AMP LOAD CENTER
- (G) 100 AMP MANUAL TRANSFER SWITCH
- (H) PUNCH DOWN BLOCK ON 2' X 4' TELCO BOARD
- (I) GROUND BAR 24" X 4" X 1/4"
- (J) MICROFLECT 2 HOLE ENTRY PORT
- (L) 2 BULB FLUORESCENT LIGHT FIXTURE
- (M) SMOKE ALARM
- (N) HIGH/LOW TEMP SENSORS
- (O) DOOR CONTACT
- LIGHT SWITCH
- 4 X 4 BOX
- ⊞ DUPLEX RECEPTACLE
- ⊞⊞ QUAD PLEX RECEPTACLE



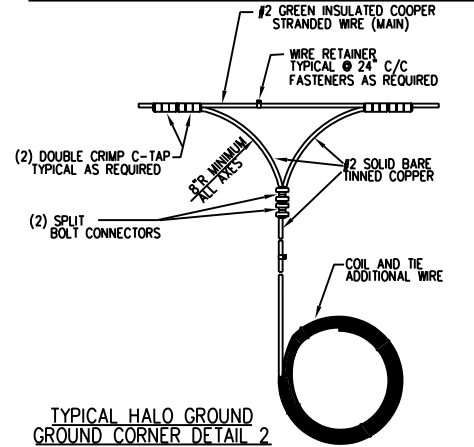
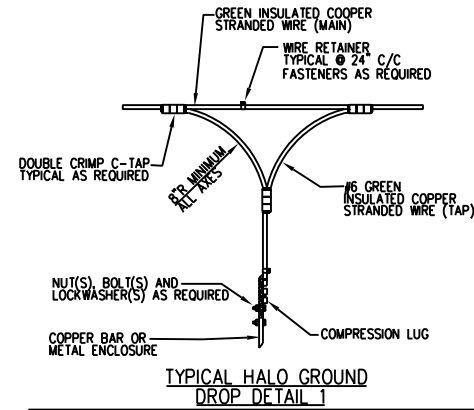
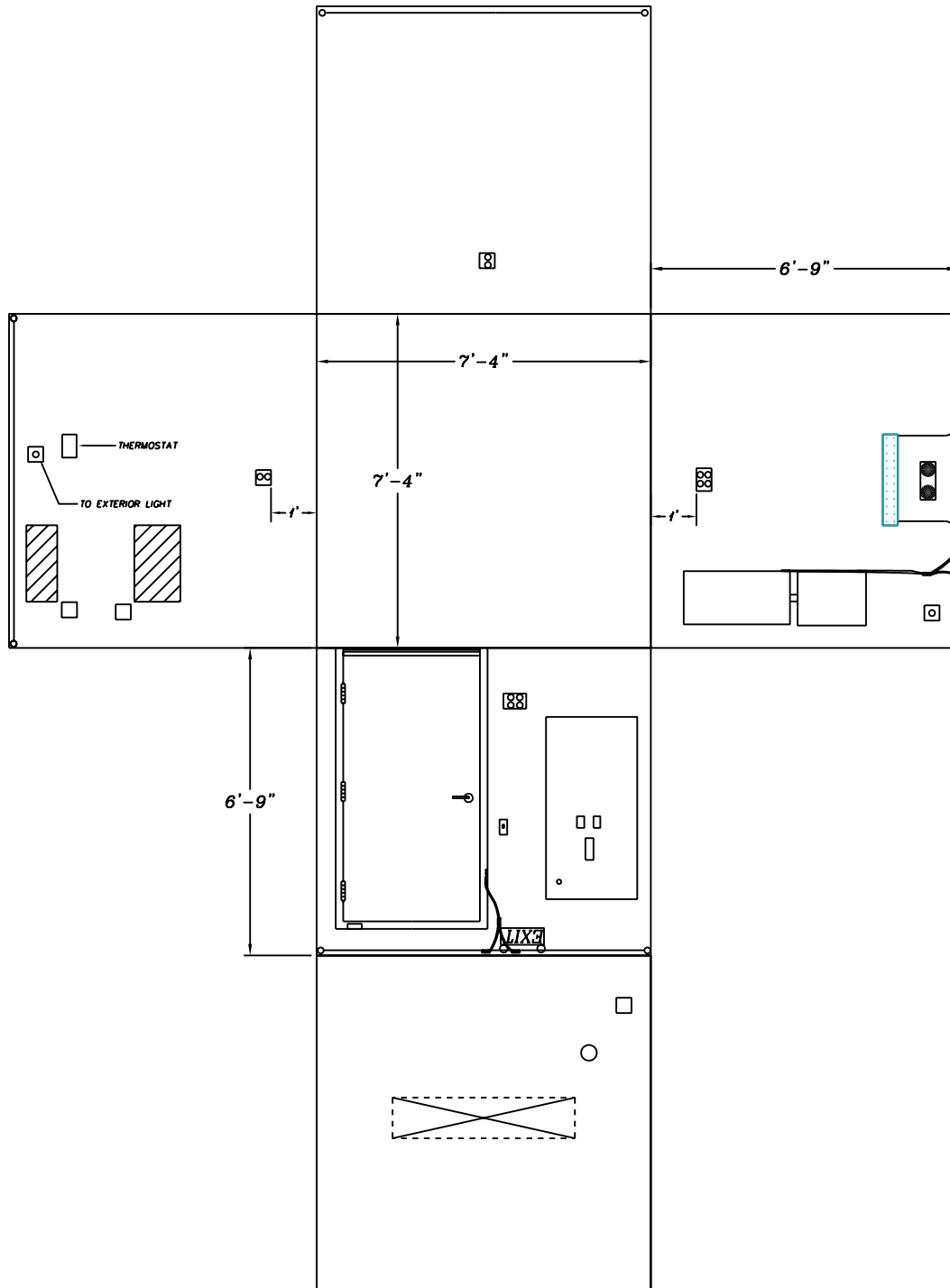
ELECT. PLAN

ELECTRICAL COMPLETION FOR
BUILDING: 8'-0" X 8'-0" X 7'-5"

| | | |
|---|-----------|---|
|  | | INTEGRATED TOWER SYSTEMS |
| CUSTOMER | | |
| JOB# M20880EL2 | DWG. REF. | DATE: 3/4/2008 |
| SCALE: | APV. | DRAWN SR |

CONFIDENTIAL
PROPRIETARY

HALO GROUND PLAN



- KEY**
- = SPLIT BOLT CONNECTORS
 - = 1/2" WIRE RETAINER HARNESS PANDUIT #RER5-86-6 ON 2'-0" CENTERS
 - = DOUBLE CRIMP C-TAP
 - = WIRECLIP

ELECTRICAL COMPLETION FOR
BUILDING: 8'-0" X 8'-0" X 7'-5"

| | | |
|-------------------|-----------|----------------|
| | | |
| INTEGRATED | | |
| ITS TOWER | | |
| SYSTEMS | | |
| CUSTOMER | | |
| JOB# M20880EL2 | DWG. REF. | DATE: 3/4/2008 |
| SCALE: | APV. | DRAWN SR |

CONFIDENTIAL
PROPRIETARY