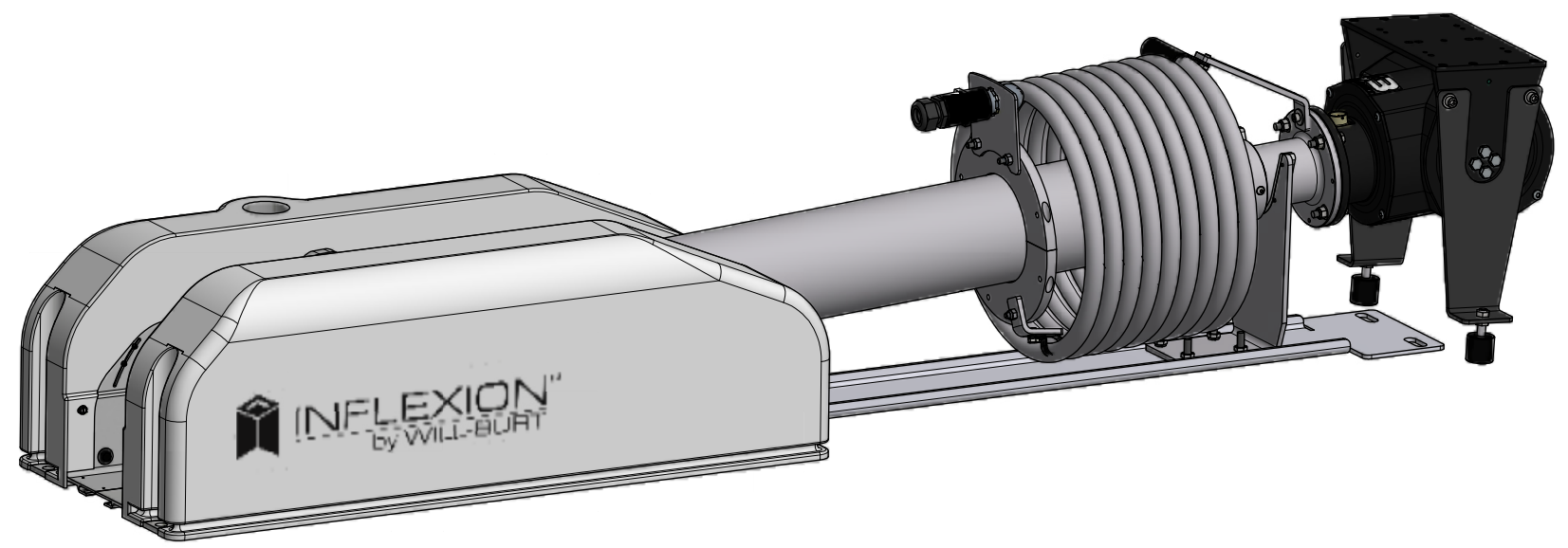


REVISION HISTORY				
ECN	REV	DESCRIPTION	DATE	APPROVED
12911	00	INITIAL RELEASE	9/21/2015	RCC
13558	A	Remove P/N's 5062701, 2393 from BOM	3/16/2017	RCC



**UNLESS OTHERWISE SPECIFIED
DIMENSIONS ARE IN INCHES.**

TOLERANCES ON DECIMALS	ANGLES
0 = ± 0.030	± 1°
00 = ± 0.020	
000 = ± 0.015	

1. ALL INSIDE EDGES TO HAVE
.005" TO .035" FILLETS.
2. ALL OUTSIDE EDGES TO HAVE
.005" TO .015" CHAMFER OR RADIUS.

$\sqrt{125}$ ON ALL MACHINED SURFACES

PROPRIETARY AND CONFIDENTIAL

THE INFORMATION CONTAINED IN THIS DRAWING IS THE SOLE PROPERTY OF THE WILL-BURT COMPANY ANY REPRODUCTION IN PART OR WHOLE WITHOUT THE WRITTEN PERMISSION OF THE WILL-BURT COMPANY IS PROHIBITED.

WILL-BURT AN EMPLOYEE OWNED COMPANY
ORRVILLE, OH

TITLE
**NS 4.5 INFLX RELAY
W/PT75 W/NYCOIL**

APPROX. WT:163.0 lbmass

THIRD ANGLE PROJECTION



APPROVALS	DATE
DRAWN RCC	9/21/2015
CHECKED	

SIZE	DWG NO	REV
B	722515220	A
PN:	722515220	SHEET 1 OF 2