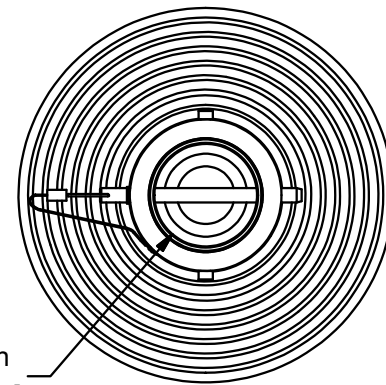
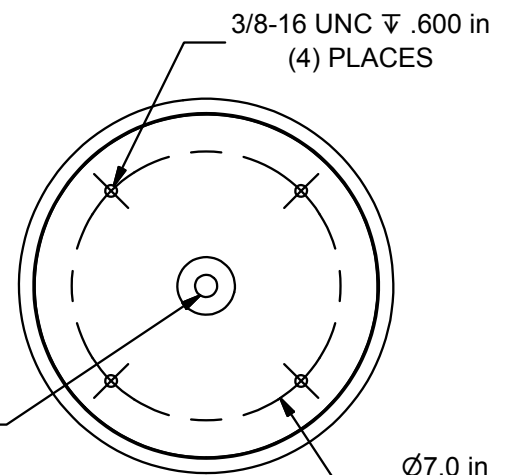


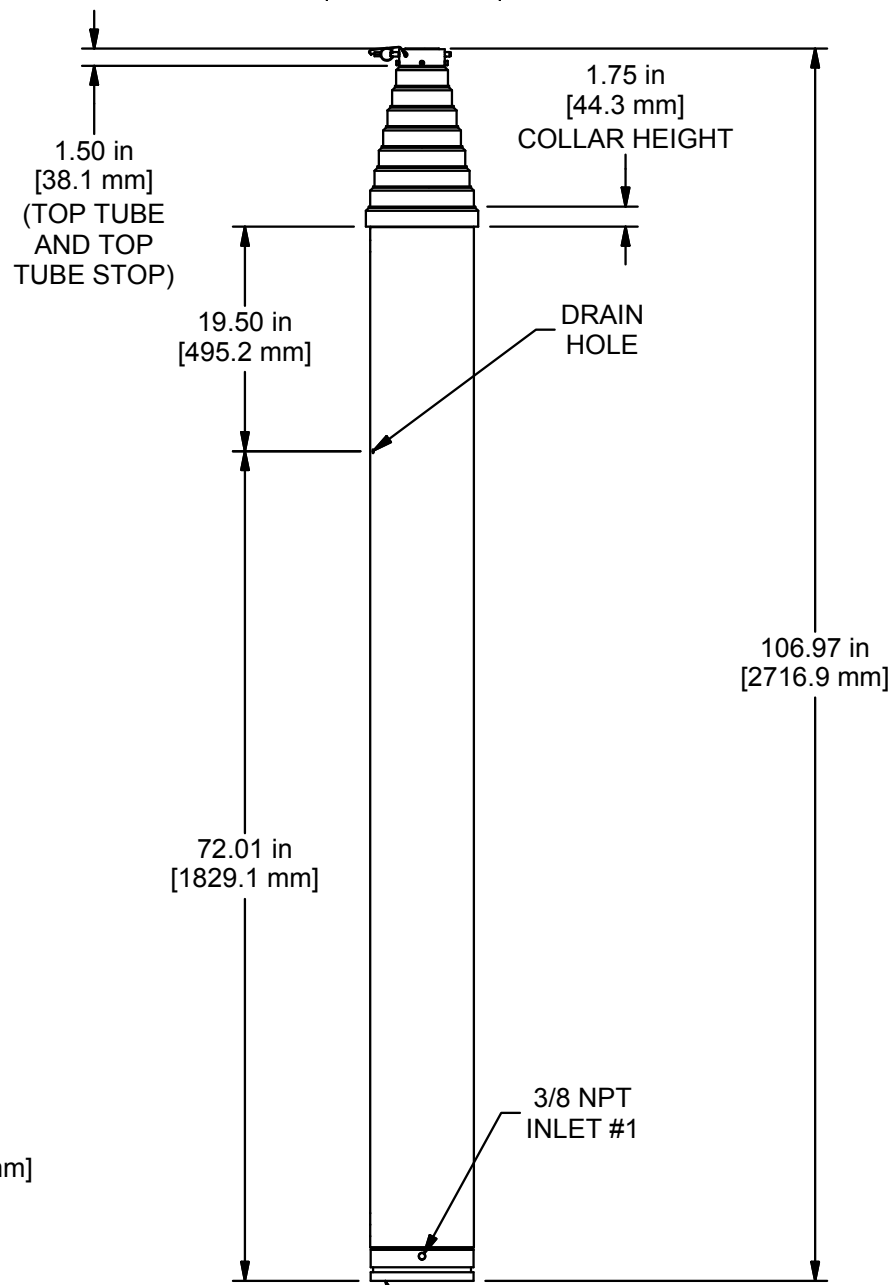
9-58 HEAVY DUTY NON-LOCKING MAST



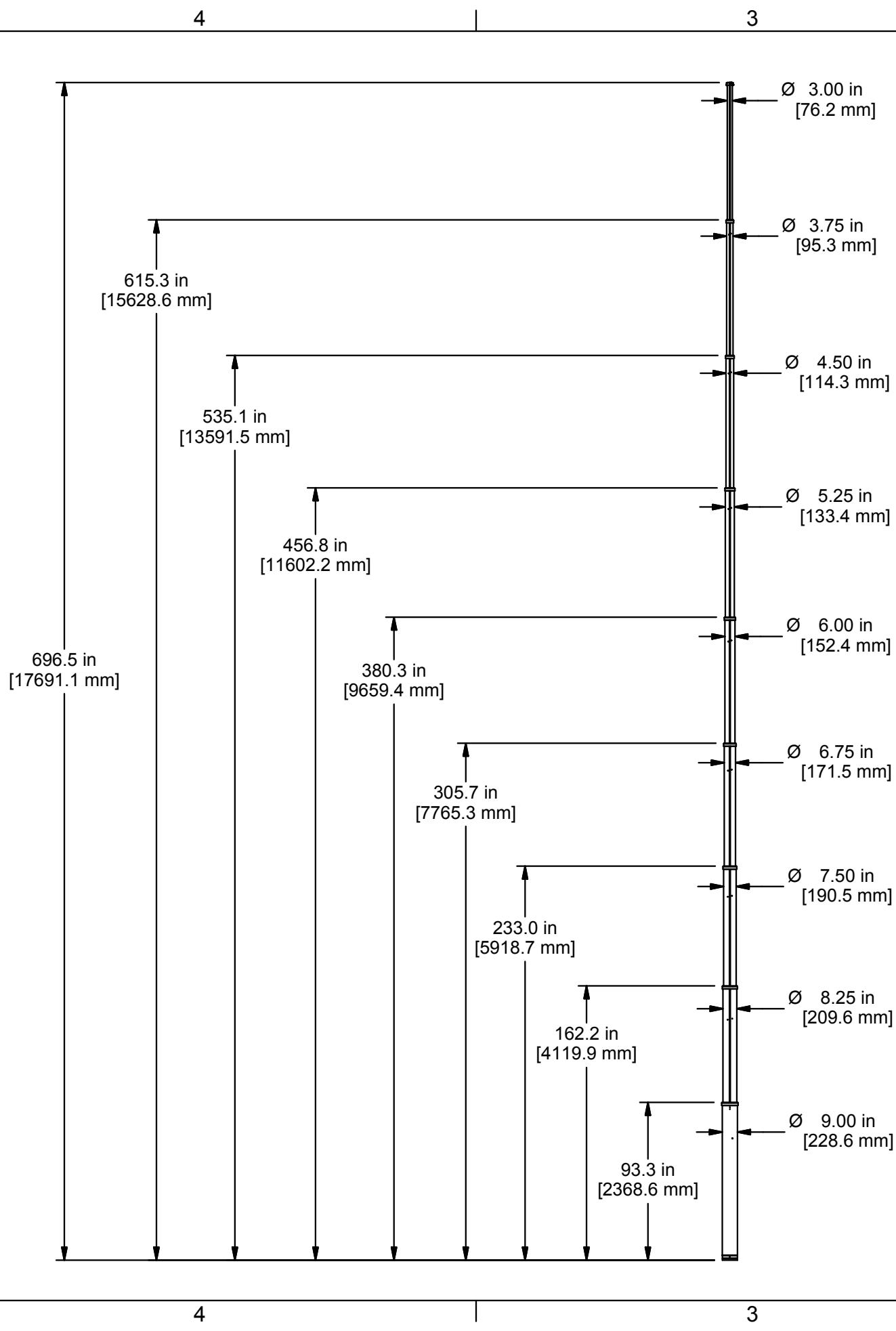
VIEW A-A



VIEW B-B



- 1 ALL DIMENSIONS APPLY WITHOUT MOUNTING ACCESSORIES
- 2 ADDITIONAL MAST SURFACE FINISHES OPTIONAL



FINISH TABLE <table border="1"> <thead> <tr> <th>P/N</th> <th>DESCRIPTION</th> </tr> </thead> <tbody> <tr> <td>906041</td> <td>CLEAR ANODIZE</td> </tr> <tr> <td>906042</td> <td>HARDCOAT W/ TEFLON</td> </tr> </tbody> </table>		P/N	DESCRIPTION	906041	CLEAR ANODIZE	906042	HARDCOAT W/ TEFLON	MATERIAL: FINISH: SEE TABLE DRAWING NOT TO SCALE ALL DIMENSIONS AND PERFORMANCE PARAMETERS ARE PROVIDED FOR REFERENCE ONLY AND ARE SUBJECT TO CHANGE WITHOUT NOTICE.	PROPRIETARY AND CONFIDENTIAL THE INFORMATION CONTAINED IN THIS DRAWING IS THE SOLE PROPERTY OF THE WILL-BURT COMPANY ANY REPRODUCTION IN PART OR WHOLE WITHOUT THE WRITTEN PERMISSION OF THE WILL-BURT COMPANY IS PROHIBITED. UNLESS OTHERWISE SPECIFIED DIMENSIONS ARE IN INCHES THIRD ANGLE PROJECTION	W3 AN EMPLOYEE OWNED COMPANY WILL-BURT ORRVILLE, OH TITLE: PNEU MAST 9-58 HDNL CUSTOMER DRAWING P/N: SEE TABLE APPROXIMATE WEIGHT: 285 LB [129.3 KG]	DATE: 6/7/2017 TUBE SET: Ø3.00" - Ø9.00"	DRAWN BY: CJY REV E
P/N	DESCRIPTION											
906041	CLEAR ANODIZE											
906042	HARDCOAT W/ TEFLON											