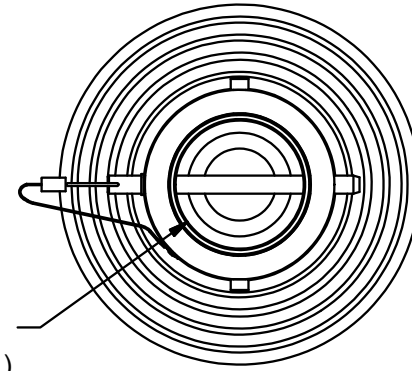
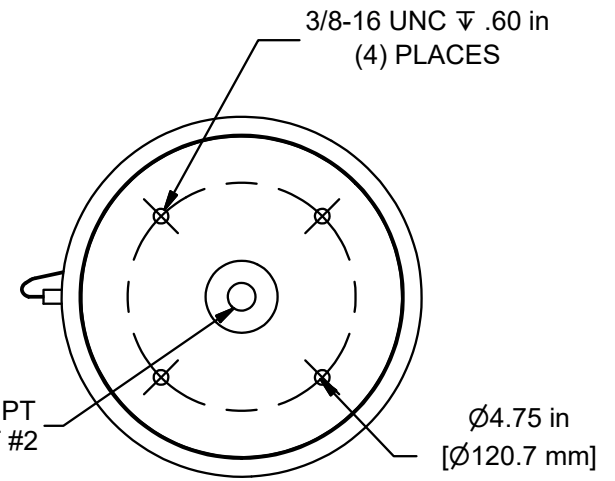


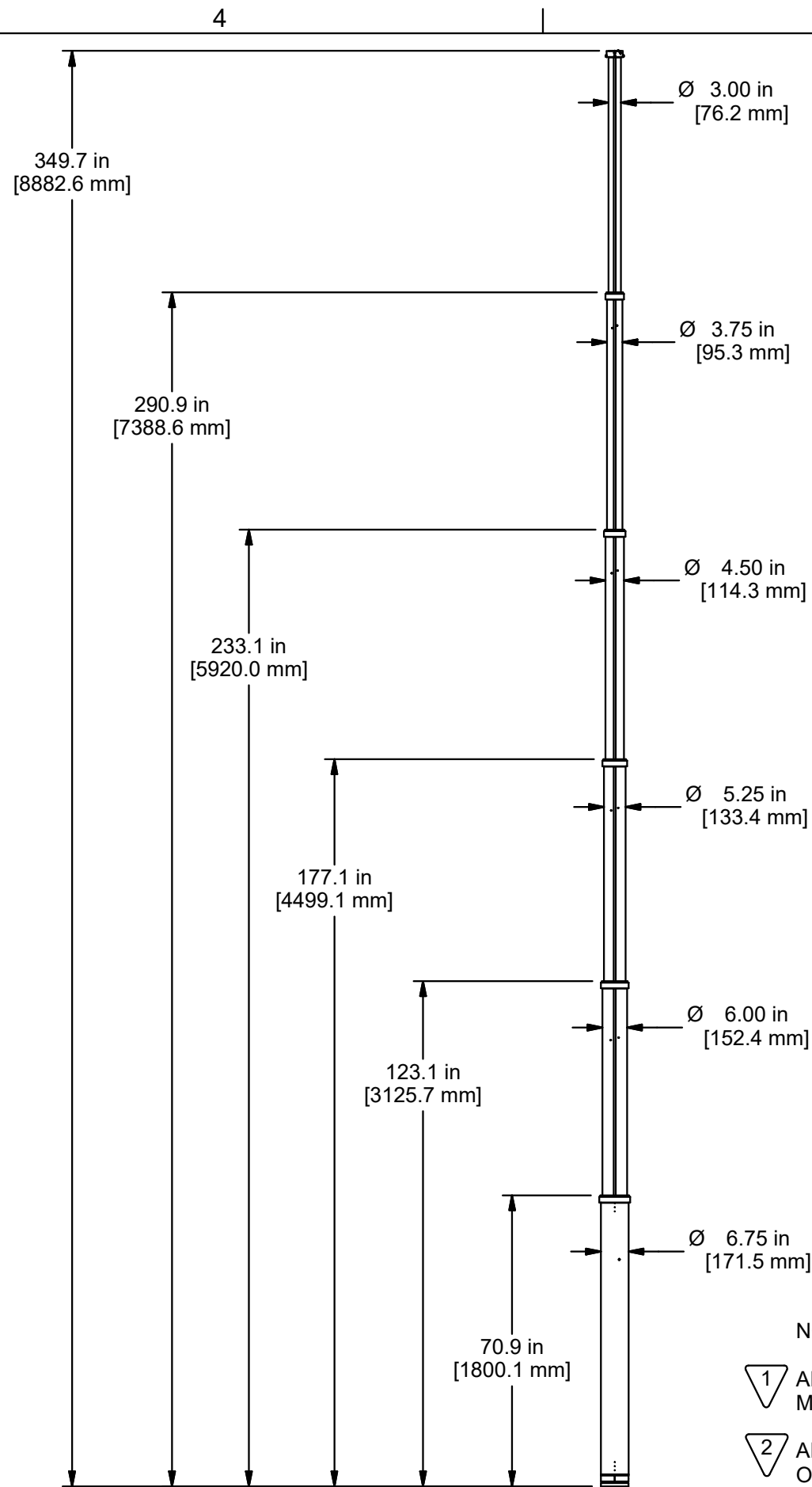
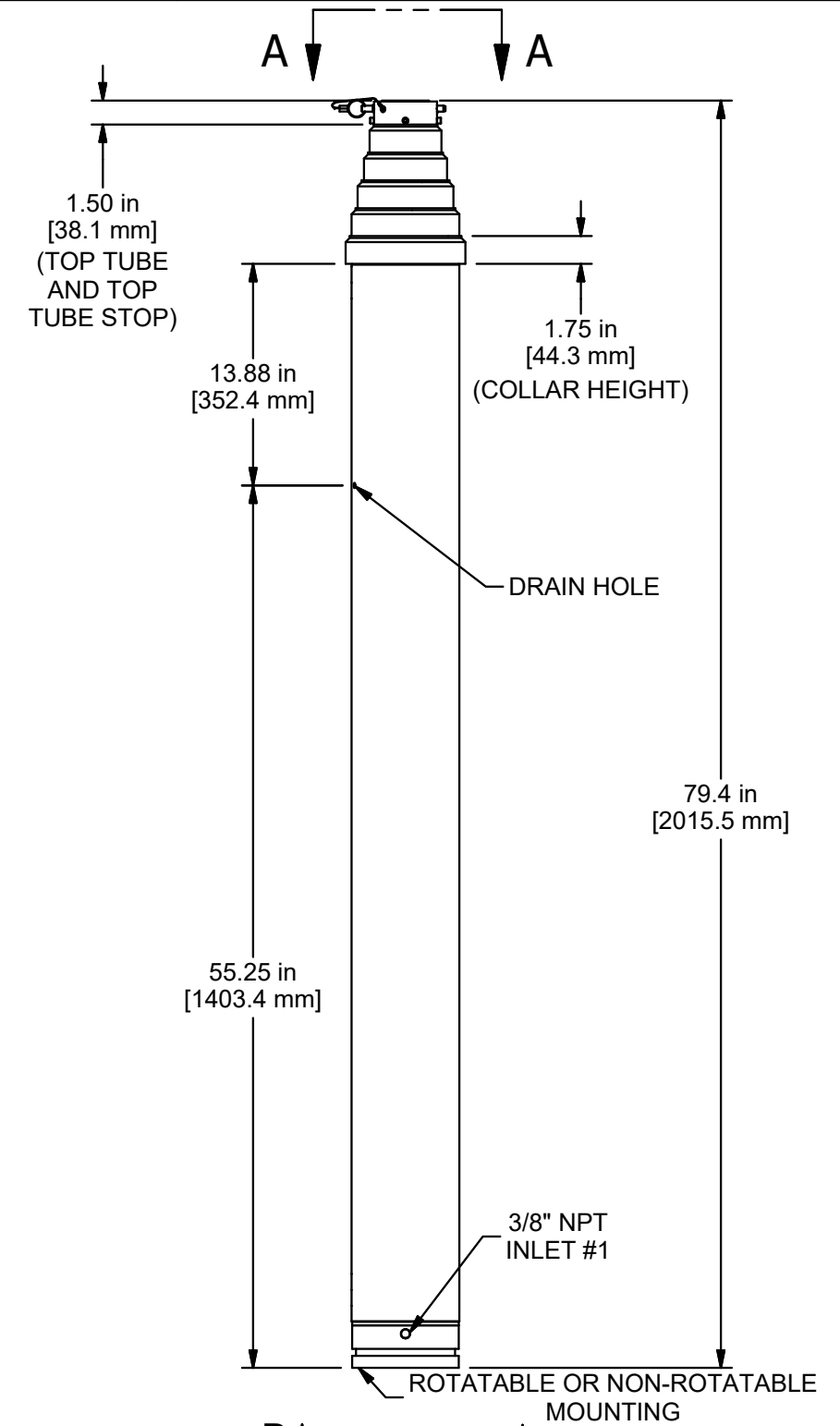
7-30 HEAVY DUTY NON-LOCKING MAST



VIEW A-A



VIEW B-B



NOTES:

- 1 ALL DIMENSIONS APPLY WITHOUT MOUNTING ACCESSORIES.
- 2 ADDITIONAL MAST SURFACE FINISHES OPTIONAL.

MATERIAL	UNLESS OTHERWISE SPECIFIED DIMENSIONS ARE IN INCHES [ALTERNATE UNITS IN MM]	PROPRIETARY AND CONFIDENTIAL THE INFORMATION CONTAINED IN THIS DRAWING IS THE SOLE PROPERTY OF THE WILL-BURT COMPANY. ANY REPRODUCTION IN PART OR WHOLE WITHOUT THE WRITTEN PERMISSION OF THE WILL-BURT COMPANY IS PROHIBITED.		AN EMPLOYEE OWNED COMPANY ORRVILLE, OH	
FINISH	ALL DIMENSIONS AND PERFORMANCE PARAMETERS ARE PROVIDED FOR REFERENCE ONLY AND ARE SUBJECT TO CHANGE WITHOUT NOTICE.	APPROVALS	DATE	TITLE CUSTOMER DRAWING	
CLEAR ANODIZE		DRAWN CJY	12/27/2017	SIZE B	DWG NO B-1599
APPROX. WT: 110LB	(-XXXX) DENOTES THE MAST FINISH. FOR A LIST OF FINISH OPTIONS SEE "FINISH SPECIFICATION TABLE" AT WWW.WILLBURT.COM.	CHECKED		PN 906033	REV G
THIRD ANGLE PROJECTION		CAGE CODE 97246	SCALE: NONE	TUBE SET Ø3.00" - Ø6.75"	